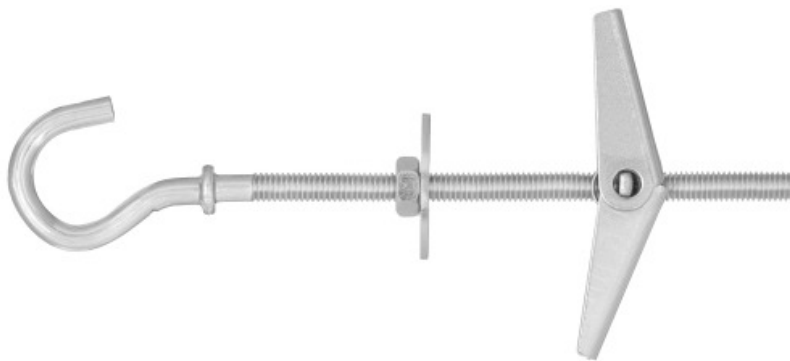


SPO Spring Toggle with Hook Bolt for use in Plasterboard

Spring toggle for cavity walls and large fixtures with hook metric screw



Product information

Features and benefits

- Long screw of the toggle fixing allows use in boards of various thicknesses and with thick attachments, offering maximum flexibility.
- Wide transition beams ensure a good load distribution allowing high load-bearing capacity
- Allows easy installation for fastenings behind thick panels in very flat cavities.
- Self-acting anchor with easy installation.
- Suitable for overhead applications

Applications

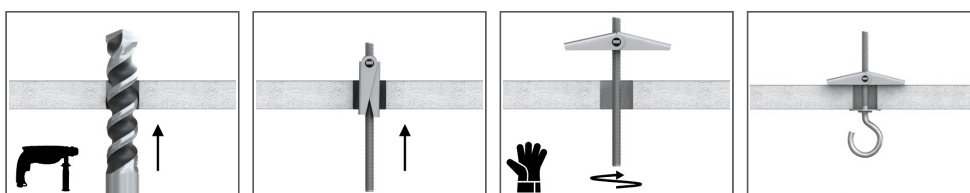
- Light shelving
- Brackets, grips and hooks
- Paintings
- Lamps
- Lighting
- Mirrors
- Shelves
- Other decorative elements

Base materials

Suitable for use in

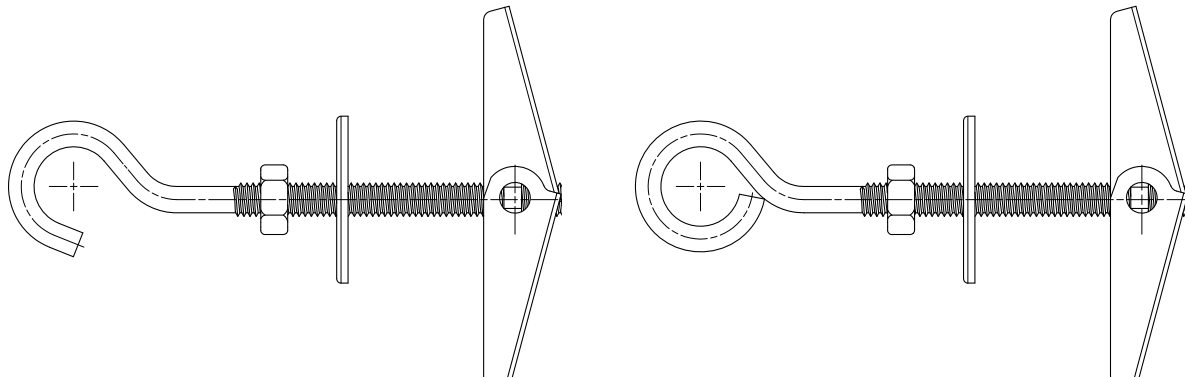
- Plasterboard
- Chipboard
- Oriented Strand Board
- PVC Profile

Installation guide



1. Drill a hole of the required diameter.
2. Compress the 'wings' and push the fixing into the hole.
3. While tightening the screw, pull the fixture out from the wall or ceiling to prevent the 'wings' spinning freely.

Product information



SPO-475

SPO-475Z

Size	Product Code
------	--------------

Installation data

Substrate			Plasterboard min. 12.5
Hole diameter in substrate	d_o	[mm]	14
Min. installation depth	h_{nom}	[mm]	9.5
Min. substrate thickness	h_{min}	[mm]	9.5
Min. spacing	s_{min}	[mm]	100
Min. edge distance	c_{min}	[mm]	100
Fixing diameter	d	[mm]	4
Board thickness	t_{fix}	[mm]	9,5

Basic performance data

Performance data for single anchor without influence of edge distance and spacing

Substrate		Plasterboard min. 9.5 mm	Plasterboard min. 12.5 mm
MEAN ULTIMATE LOAD $F_{Ru,m}$			
SPO475Z	[kN]	0.58	0.54
SPO475	[kN]	0.59	0.58
SPO450	[kN]	0.55	0.56
CHARACTERISTIC LOAD F_{Rk}			
SPO475Z	[kN]	0.39	0.43
SPO475	[kN]	0.38	0.42
SPO450	[kN]	0.36	0.46
DESIGN LOAD F_{Rd}			
SPO475Z	[kN]	0.18	0.20
SPO475	[kN]	0.19	0.20
SPO450	[kN]	0.17	0.22
RECOMMENDED LOAD F_{rec}			
SPO475Z	[kN]	0.13	0.14
SPO475	[kN]	0.14	0.14
SPO450	[kN]	0.12	0.16