

TAP-IT Hammer-in fixing for plasterboard

Driven metal fixing for easy installation in plasterboard



Product information

Features and benefits

- Steel fixing for light weights
- Simple installation due to introductory thread
- Corrugated tip simplifies installation without drilling
- Expanding construction of the fixing prevents from its spin in the substrate during installation
- Flat head enables leveling fixing with the surface of the substrate
- Simple uninstallation without harming the substrate

Applications

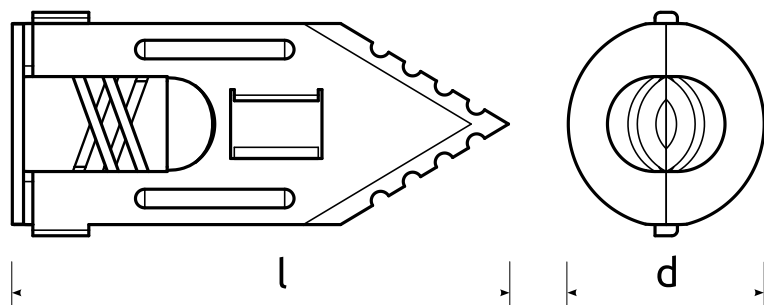
- Light shelving
- Pictures
- Towel rails
- Brackets, grips and hooks

Base materials

Suitable for use in

- Plasterboard

Product information



Product Code	Plug	
	Diameter	Length
	d	l
	[mm]	
R-GPB	10.5	30

Product commercial data

Product Code	Plug	Quantity [pcs]			Weight [kg]			Bar Codes
	Diameter [mm]	Box	Outer	Pallet	Box	Outer	Pallet	
R-GPB	10.5	100	1600	89600	0.23	3.6	231.6	5906675218977