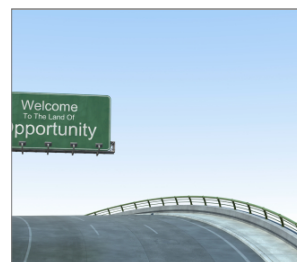
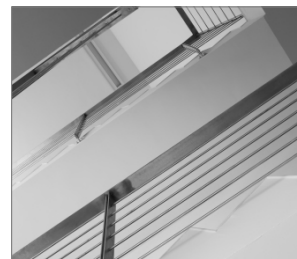


R-SPL-II-C SafetyPlus II - Countersunk

High performance mechanical anchor - loose bolt option



Approvals and Reports

- ETA-14/0345



Product information

Features and benefits

- Mechanical anchor for highest tension and shear loads
- Seismic category C2 for structural applications. Seismic category C1 for non-structural use in areas with low seismic risk.
- For usage with required fire resistance
- ETA Option 1 for cracked and non-cracked concrete.
- Antirotation brush to prevent rotation during installation.
- Anchor's construction allows easy through-installation (drilling and installation through fixed material)
- Three types of tips (nut, flat or tapered bolt) allow simple fitment for installed element
- 8.8 grade steel material of anchor provides high durability

Applications

- Structural steel
- Masonry support
- Cladding restraints
- Road Signs
- Heavy machinery
- Racking systems
- Industrial doors
- Safety barriers

Base materials

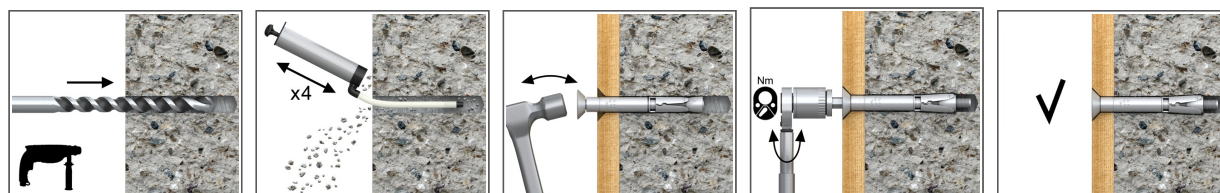
Approved for use in:

- Cracked concrete C20/25-C50/60
- Non-cracked concrete C20/25-C50/60
- Unreinforced concrete
- Reinforced concrete

Also suitable for use in:

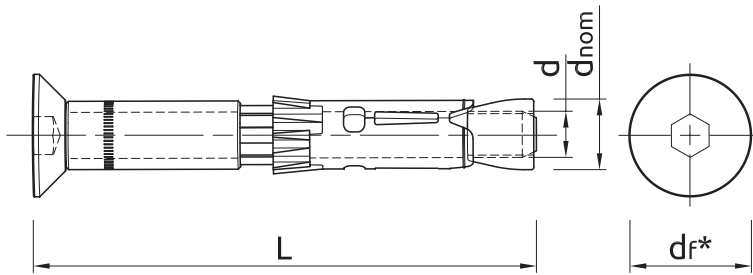
- Natural Stone (after site testing)

Installation guide



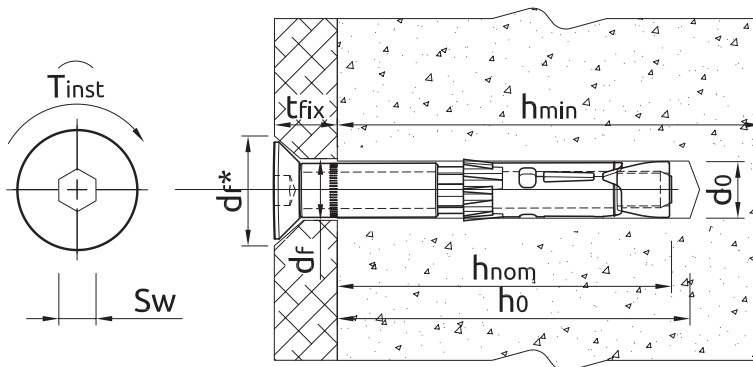
1. Drill a hole of required diameter and depth
2. Clear the hole of drilling dust and debris (using blowpump or equivalent method)
3. Insert anchor through fixture into hole and tap until required installation depth is achieved
4. Tighten to the recommended torque

Product information



Size	Product Code	Anchor			Fixture	
		Thread size	External diameter	Length	Max. thickness	Hole diameter
		d [mm]	d_{nom} [mm]	L [mm]	t_{fix} [mm]	d_f [mm]
M6	R-SPL-II-06080/25C	6	10	80	25	12
M8	R-SPL-II-08080/16C	8	12	80	16	14
	R-SPL-II-08090/26C	8	12	90	26	14
M10	R-SPL-II-10090/17C	10	15	90	17	17
	R-SPL-II-10100/27C	10	15	100	27	17
M12	R-SPL-II-12125/33C	12	18	125	33	20

Installation data



Size			M6	M8	M10	M12
Thread diameter	d	[mm]	6	8	10	12
Hole diameter in substrate	d_0	[mm]	10	12	15	18
Hole diameter in fixture	d_f	[mm]	12	14	17	20
Head diameter		[mm]	17	21	26	31
Installation torque	T_{inst}	[Nm]	10	20	45	80
Wrench size	Sw	[mm]	5	6	8	10
Min. hole depth in substrate	h_0	[mm]	75	85	95	115
Min. installation depth	h_{nom}	[mm]	60	70	80	100
Min. substrate thickness	h_{min}	[mm]	100	120	140	180
Min. spacing	s_{min}	[mm]	50	60	70	80
Min. edge distance	c_{min}	[mm]	50	60	70	80

Mechanical properties

Size			M6	M8	M10	M12
Nominal ultimate tensile strength - tension	f_{uk}	[N/mm ²]	800	800	800	800
Nominal yield strength - tension	f_{yk}	[N/mm ²]	640	640	640	640
Cross sectional area - tension	A_s	[mm ²]	20.1	36.6	58	84.3
Elastic section modulus	W_{el}	[mm ³]	21.2	50.3	98.2	169.7
Characteristic bending resistance	$M^0_{Rk,s}$	[Nm]	12	30	60	105
Design bending resistance	M	[Nm]	9.6	24	48	84

Basic performance data

Performance data for single anchor without influence of edge distance and spacing

Size			M6	M8	M10	M12
NON-CRACKED CONCRETE						
Effective embedment depth h_{ef}	[mm]		49.00	59.00	67.00	88.00
CRACKED CONCRETE						
Effective embedment depth h_{ef}	[mm]		49.00	59.00	67.00	88.00
MEAN ULTIMATE LOAD						
TENSION LOAD $N_{Ru,m}$						
NON-CRACKED CONCRETE	[kN]		16.80	30.45	37.02	55.72
CRACKED CONCRETE	[kN]		11.70	15.60	20.80	32.50
SHEAR LOAD $V_{Ru,m}$						
NON-CRACKED CONCRETE	[kN]		15.40	28.60	46.20	55.00
CRACKED CONCRETE	[kN]		15.40	21.53	46.20	55.00
CHARACTERISTIC LOAD						
TENSION LOAD N_{Rk}						
NON-CRACKED CONCRETE	[kN]		16.00	22.29	26.98	40.61
CRACKED CONCRETE	[kN]		9.00	12.00	16.00	25.00
SHEAR LOAD V_{Rk}						
NON-CRACKED CONCRETE	[kN]		14.00	22.29	42.00	50.00
CRACKED CONCRETE	[kN]		11.81	15.61	37.77	50.00
DESIGN LOAD						
TENSION LOAD N_{Rd}						
NON-CRACKED CONCRETE	[kN]		10.67	14.86	17.99	27.07
CRACKED CONCRETE	[kN]		6.00	8.00	10.67	16.67
SHEAR LOAD V_{Rd}						
NON-CRACKED CONCRETE	[kN]		11.20	14.86	33.60	40.00
CRACKED CONCRETE	[kN]		7.87	10.40	25.18	37.90

Design performance data

(-) failure is not decisive

Size			M6	M8	M10	M12
Effective embedment depth	h_{ef}	[mm]	49.00	59.00	67.00	88.00
TENSION LOAD						
STEEL FAILURE						
Characteristic resistance	$N_{Rk,s}$	[kN]	16.00	29.00	46.00	67.00
Partial safety factor	γ_{Ms}	-	1.50	1.50	1.50	1.50
PULL-OUT FAILURE; NON-CRACKED CONCRETE C20/25						
Characteristic resistance	$N_{Rk,p}$	[kN]	-	-	-	-
PULL-OUT FAILURE; CRACKED CONCRETE C20/25						
Characteristic resistance	$N_{Rk,p}$	[kN]	9.00	12.00	16.00	25.00
PULL-OUT FAILURE						
Installation safety factor	γ_{inst}	-	1.00	1.00	1.00	1.00
Increasing factors for $N_{Rd,p}$ - C30/37	ψ_c	-	1.22	1.22	1.22	1.22
Increasing factors for $N_{Rd,p}$ - C40/50	ψ_c	-	1.41	1.41	1.41	1.41
Increasing factors for $N_{Rd,p}$ - C50/60	ψ_c	-	1.55	1.55	1.55	1.55
CONCRETE CONE FAILURE						
Installation safety factor	γ_{inst}	-	1.00	1.00	1.00	1.00
Factor for cracked concrete	$k_{cr,N}$	-	7.70	7.70	7.70	7.70
Factor for non-cracked concrete	$k_{ucr,N}$	-	11.00	11.00	11.00	11.00
Spacing	$s_{cr,N}$	[mm]	147.0	177.0	201.0	264.0
Edge distance	$c_{cr,N}$	[mm]	73.50	88.50	100.5	132.0
CONCRETE SPLITTING FAILURE						
Installation safety factor	γ_{inst}	-	1.00	1.00	1.00	1.00
Spacing	$s_{cr,sp}$	[mm]	147.0	177.0	201.0	264.0
Edge distance	$c_{cr,sp}$	[mm]	73.50	88.50	100.5	132.0
SHEAR LOAD						
STEEL FAILURE						
Characteristic resistance without lever arm	$V_{Rk,s}$	[kN]	14.00	26.00	42.00	50.00
Ductility factor	k_γ	-	1.00	1.00	1.00	1.00
Characteristic resistance with lever arm	$M_{Rk,s}$	[Nm]	12.00	30.00	60.00	105.0
Partial safety factor	γ_{Ms}	-	1.25	1.25	1.25	1.25
CONCRETE PRY-OUT FAILURE						
Factor	k	-	1.00	1.00	2.00	2.00
Installation safety factor	γ_{inst}	-	1.00	1.00	1.00	1.00
CONCRETE EDGE FAILURE						
Effective length of anchor	ℓ_f	[mm]	49.00	59.00	67.00	88.00
Anchor diameter	d_{nom}	[mm]	10.00	12.00	15.00	18.00
Installation safety factor	γ_{inst}	-	1.00	1.00	1.00	1.00

Design performance data

Characteristic Resistance under fire exposure in concrete C20/25 to C50/60

Size			M6	M8	M10	M12
R (for EI) = 30 min						
Effective embedment depth	h_{ef}	[mm]	49.00	59.00	67.00	88.00
TENSION LOAD						
STEEL FAILURE						
Characteristic resistance	$N_{Rk,s}$	[kN]	0.20	0.37	0.87	1.69
PULL-OUT FAILURE						
Characteristic resistance	$N_{Rk,p}$	[kN]	2.25	3.00	4.00	6.25
SHEAR LOAD						
STEEL FAILURE						
Characteristic resistance without lever arm	$V_{Rk,s}$	[kN]	0.20	0.37	0.87	1.69
Characteristic resistance with lever arm	$M_{Rk,s}$	[Nm]	0.15	0.37	1.12	2.62
R (for EI) = 60 min						
Effective embedment depth	h_{ef}	[mm]	49.00	59.00	67.00	88.00
TENSION LOAD						
STEEL FAILURE						
Characteristic resistance	$N_{Rk,s}$	[kN]	0.18	0.33	0.75	1.26
PULL-OUT FAILURE						
Characteristic resistance	$N_{Rk,p}$	[kN]	2.25	3.00	4.00	6.25
SHEAR LOAD						
STEEL FAILURE						
Characteristic resistance without lever arm	$V_{Rk,s}$	[kN]	0.18	0.33	0.75	1.26
Characteristic resistance with lever arm	$M_{Rk,s}$	[Nm]	0.14	0.34	0.97	1.96
R (for EI) = 90 min						
Effective embedment depth	h_{ef}	[mm]	49.00	59.00	67.00	88.00
TENSION LOAD						
STEEL FAILURE						
Characteristic resistance	$N_{Rk,s}$	[kN]	0.14	0.26	0.58	1.10
PULL-OUT FAILURE						
Characteristic resistance	$N_{Rk,p}$	[kN]	2.25	3.00	4.00	6.25
SHEAR LOAD						
STEEL FAILURE						
Characteristic resistance without lever arm	$V_{Rk,s}$	[kN]	0.14	0.26	0.58	1.10
Characteristic resistance with lever arm	$M_{Rk,s}$	[Nm]	0.11	0.26	0.75	1.70
R (for EI) = 120 min						
Effective embedment depth	h_{ef}	[mm]	49.00	59.00	67.00	88.00
TENSION LOAD						
STEEL FAILURE						
Characteristic resistance	$N_{Rk,s}$	[kN]	0.10	0.18	0.46	0.84
PULL-OUT FAILURE						
Characteristic resistance	$N_{Rk,p}$	[kN]	1.80	2.40	3.20	5.00
SHEAR LOAD						
STEEL FAILURE						
Characteristic resistance without lever arm	$V_{Rk,s}$	[kN]	0.10	0.18	0.46	0.84
Characteristic resistance with lever arm	$M_{Rk,s}$	[Nm]	0.08	0.19	0.60	1.31

Design performance data

Allowable values for resistance in case of Seismic performance category C1

Size			M6	M8	M10	M12
Effective embedment depth	h_{ef}	[mm]	49.00	59.00	67.00	88.00
TENSION LOAD, STEEL FAILURE						
Characteristic resistance	$N_{Rk,s}$	[kN]	16.00	29.00	46.00	67.00
Partial safety factor	$\gamma_{MsN,seisC1}$	-	1.50	1.50	1.50	1.50
TENSION LOAD, PULL-OUT FAILURE						
Characteristic resistance	$N_{Rk,p}$	[kN]	6.80	12.00	16.00	25.00
Installation safety factor	γ_{inst}	-	1.00	1.00	1.00	1.00
SHEAR LOAD, STEEL FAILURE						
Characteristic resistance without lever arm	$V_{Rk,s}$	[kN]	9.80	13.00	20.00	20.00
Partial safety factor	$\gamma_{MsV,seisC1}$	-	1.25	1.25	1.25	1.25

Allowable values for resistance in case of Seismic performance category C2

Size			M6	M8	M10	M12
Effective embedment depth	h_{ef}	[mm]	49.00	59.00	67.00	88.00
TENSION LOAD, STEEL FAILURE						
Characteristic resistance	$N_{Rk,s}$	[kN]	-	29.00	46.00	67.00
Partial safety factor	$\gamma_{MsN,seisC2}$	-	1.50	1.50	1.50	1.50
TENSION LOAD, PULL-OUT FAILURE						
Characteristic resistance	$N_{Rk,p}$	[kN]	-	3.90	7.80	15.20
Partial safety factor	$\gamma_{Mp,seisC2}$	-	1.50	-	-	-
Installation safety factor	γ_{inst}	-	-	1.00	1.00	1.00
SHEAR LOAD, STEEL FAILURE						
Characteristic resistance without lever arm	$V_{Rk,s}$	[kN]	-	10.20	17.00	17.00
Partial safety factor	$\gamma_{MsV,seisC2}$	-	1.25	1.25	1.25	1.25

Product commercial data

Product Code	Anchor		Quantity [pcs]			Weight [kg]			Bar Codes
	Thread size [mm]	Length [mm]	Box	Outer	Pallet	Box	Outer	Pallet	
R-SPL-II-06080/25C ₁₎	6	80	50	400	9600	2.1	16.6	429.4	5010445007408
R-SPL-II-08080/16C ₁₎	8	80	25	250	6000	1.88	18.8	480.0	5906675375496
R-SPL-II-08090/26C ₁₎	8	90	25	200	4800	1.79	14.4	374.3	5010445007415
R-SPL-II-10090/17C ₁₎	10	90	20	20	4060	2.5	2.5	541.6	5906675375502
R-SPL-II-10100/27C ₁₎	10	100	20	200	4800	2.3	23.2	586.8	5010445007422
R-SPL-II-12125/33C ₁₎	12	125	20	80	1920	4.5	18.1	463.9	5010445007439

1) ETA-14/0345