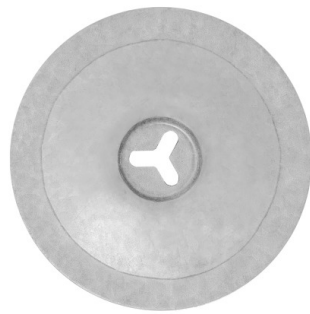


POK-040-ALZN Circular steel washer 40mm for the pre-assambling with the screw

Steel washer with special form for roofing applications, for use with all types of roofing screws.



Product information

Features and benefits

- Round washer made of aluminum and zinc sheet, which ensures a very high resistance against corrosion. Its sculpted shape allows for trouble-free installation using a dedicated rigid mounting screws for hard roof insulation.

Applications

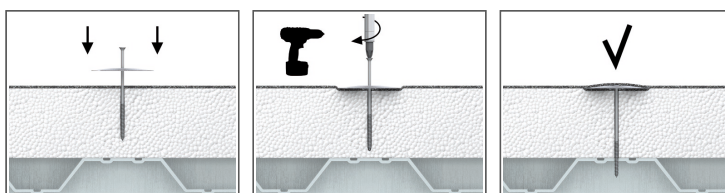
- Systems of mechanically fastened flexible roof waterproofing membrane

Base materials

Approved for use in:

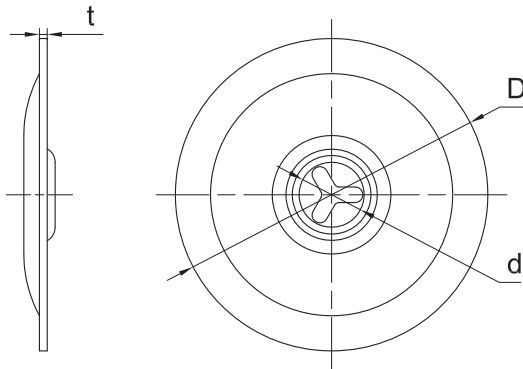
- Metal Sheet & Profiles
- Timber
- Chipboard
- Plywood
- Concrete
- Concrete Slab

Installation guide



1. Position POK washer on insulation and insert: WCS,WW screw
2. Using drilling machine, drive the screw into substrate until fixing depth is reached

Product information



Product Code	Aluminum washer		
	Hole diameter	Plate diameter	Thickness
	d	D	t
	[mm]	[mm]	[mm]
R-POK-040-ALZN	2.5	40	0.7

Product commercial data

Product Code	Aluminum washer		Quantity [pcs]			Weight [kg]			Bar Codes
	Hole diameter [mm]	Plate diameter [mm]	Box	Outer	Pallet	Box	Outer	Pallet	
R-POK-040-ALZN	2.5	40	100	1200	38400	1.05	12.6	433.2	5906675102542