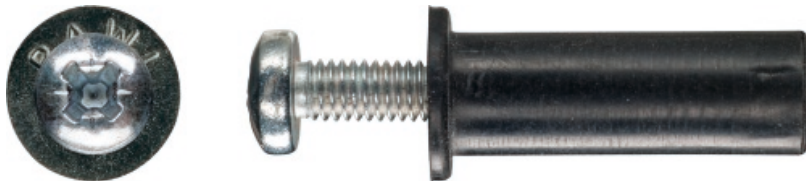


RAWLNUT Flexi Plug with Screw

Easy-to-install plug with screw giving exceptional resistance to vibration and corrosion.



Product information

Features and benefits

- Resistant to vibration and corrosion.
- Ideal for unknown substrates and irregular or oversized holes.
- Rubber flange sets flush at the surface which guarantee tight fixing.
- Made from synthetic rubber for more severe corrosion environment.
- Bonded brass insert.

Applications

- Pictures
- Lighting
- Shelves
- Trunking
- Cable conduits and wires

Base materials

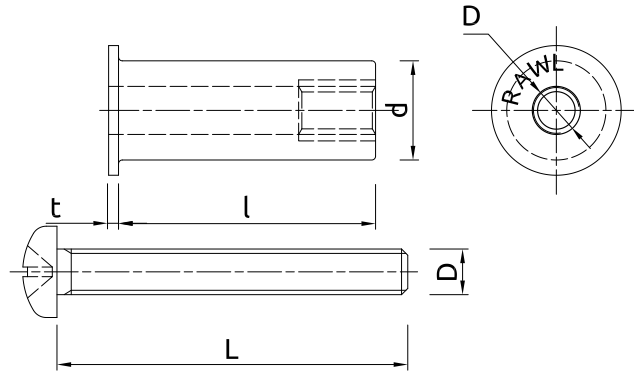
Suitable for use in

- Solid Brick
- Hollow Brick
- Vertically-perforated Clay Block
- Lightweight Concrete Block
- Hollow Lightweight Concrete Block
- Aerated Concrete Block
- Plasterboard
- Chipboard

Installation guide

1. Drill appropriate hole. For solid materials, drill hole to length of screw and fixture thickness. Clean out hole and remove sharp edges to avoid damaging fixing.
2. Insert the fixing up to its flange.
3. Place fixture in position. Insert screw and tighten to compress sleeve and form a secure fixing. Do not overtighten.
4. Work equally well in uniform or irregularly shaped holes.

Product information



Product Code	Flange thickness	Plug		Screw	
		Diameter	Length	Diameter	Length
	t	d	l	D	L
[mm]					
R-RNT-M3X30	1.2	8	24	3	30
R-RNT-M4X20	1.4	8	12.6	4	20
R-RNT-M4X30	1.2	8	24	4	30
R-RNT-M5X40-50	1.3	10	39.8	5	50
R-RNT-M5X20	1.3	10	14.1	5	20
R-RNT-M5X30	1.3	10	26.1	5	30

Product commercial data

Product Code	Plug Diameter [mm]	Quantity [pcs]			Weight [kg]			Bar Codes
		Box	Outer	Pallet	Box	Outer	Pallet	
R-RNT-M3X30	8	50	900	21600	0.30	5.4	159.6	5010445090400
R-RNT-M5X40-50	10	50	50	21600	0.55	0.55	267.6	5010445093173
R-RNT-M5X20	10	50	900	21600	0.30	5.4	159.6	5010445091957
R-RNT-M5X30	10	50	900	21600	0.30	5.4	159.6	5010445092350
R-RNT-M4X20	8	50	50	21600	0.19	0.19	109.9	5010445091001
R-RNT-M4X30	8	50	50	21600	0.24	0.24	131.5	5010445091308