

GOK, GOK-N + WX-T Roofing fixing system

Pre-assembled telescopic fastening system for trapezoid sheet substrate, max thickness of 2x1.25mm



Approvals and Reports

- ETA-09/0346



Product information

Features and benefits

- Impact-resistant material used ensures constant mechanical properties over the lifetime of a roof. Also, retains its properties over a wide temperature range.
- The cone's optimal shape facilitates speed and ease of installation through the thermal insulation.
- Internal sleeve design allows pre-assembly with any Rawlplug roofing screw, shortening installation.
- Hardened screw's thread surface. High quality anti-corrosion coating guarantees resistance of 15 Kesternich cycles.
- The shape and type of screw's thread is designed specifically for connecting to metal sheets. The drill point is designed to provide a fast and hassle-free installation. Sharp point of the drill prevents movement of the surface of the fixture.
- Reduced drilling point ensures optimal tightness and correct hole diameter in thin metal sheets.

Applications

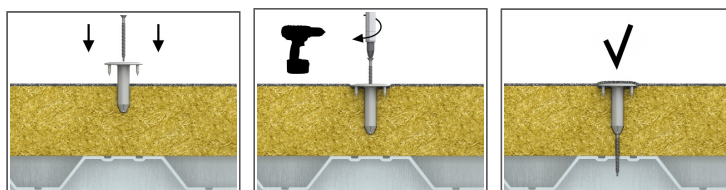
- Insulation layers to flat roofs to substrate: steel

Base materials

Approved for use in:

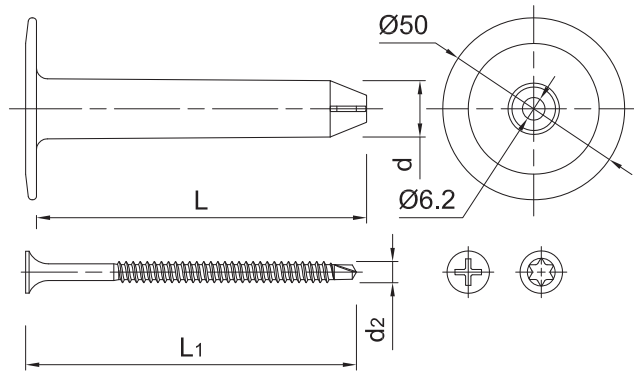
- Metal Sheet & Profiles

Installation guide



1. Select a suitable screw type for substrate
2. Lightly insert plastic sleeve into insulation material
3. Using drilling machine, drive the screw into substrate until fixing depth is reached

Product information



Product Code	Plastic sleeve			Fixture		
	Diameter	Length	Plate diameter	Min. thickness	Max. thickness	
	d	L	D	t _{fix}	t _{fix}	
	[mm]	[mm]	[mm]	[mm]	[mm]	
R-GOK-015	15.5	15	50	30	280	
R-GOK-035	15.5	35	50	50	300	
R-GOK-065	15.5	65	50	80	330	
R-GOK-075	15.5	75	50	90	340	
R-GOK-085	15.5	85	50	100	350	
R-GOK-095	15.5	95	50	110	360	
R-GOK-105	15.5	105	50	120	370	
R-GOK-125	15.5	125	50	140	390	
R-GOK-135	15.5	135	50	150	400	
R-GOK-165	15.5	165	50	180	430	
R-GOK-185	15.5	185	50	200	450	
R-GOK-225	15.5	225	50	240	490	
R-GOK-255	15.5	255	50	270	520	
R-GOK-285	15.5	285	50	300	550	
R-GOK-325	15.5	325	50	340	590	
R-GOK-385	15.5	385	50	400	650	
R-GOK-425	15.5	425	50	440	690	
	R-GOK-525-N	15.5	525	50	540	790
	R-GOK-625-N	15.5	625	50	640	890
	R-GOK-725-N	15.5	725	50	740	990

Product Code	Screw	
	Diameter	Length
	d	L
	[mm]	[mm]
R-WX-48T050	4.8	50
R-WX-48T060	4.8	60
R-WX-48T070	4.8	70
R-WX-48T080	4.8	80
R-WX-48T100	4.8	100
R-WX-48T120	4.8	120
R-WX-48T140	4.8	140
R-WX-48T160	4.8	160
R-WX-48T180	4.8	180
R-WX-48T200	4.8	200
R-WX-48T240	4.8	240
R-WX-48T300	4.8	300

Installation data

Substrate			Steel
Screw diameter	d	[mm]	4.8
Hole diameter in substrate	d ₀	[mm]	-
Min. hole depth in substrate	h ₀	[mm]	-
Min. installation depth	h _{nom}	[mm]	-
Min. substrate thickness	h _{min}	[mm]	0.63
Min. spacing	s _{min}	[mm]	120
Min. edge distance	c _{min}	[mm]	30

Basic performance data

Size		Steel
Effective embedment depth h _{ef}	[mm]	0.75
MEAN ULTIMATE LOAD		
GOK + WX	[kN]	1.42
CHARACTERISTIC LOAD		
GOK + WX	[kN]	1.01
DESIGN LOAD		
GOK + WX	[kN]	0.50
RECOMMENDED LOAD		
GOK + WX	[kN]	0.36

Design performance data

PULL OUT - SCREW FROM SUBSTRATE

Size			Steel		
Effective embedment depth	h _{ef}	[mm]	0.75	1	1.25
TENSION LOAD					
PULL-OUT FAILURE					
Characteristic resistance	N _{Rk,p}	[kN]	1.01	1.53	1.66
Design resistance	N _{Rd,p}	[kN]	0.50	0.76	0.83

PULL OUT - GOK SLEEVE

Characteristic resistance	N _{Rk,p}	[kN]	2.45
Design resistance	N _{Rd,p}	-	1.23

Product commercial data

Size	Product Code	Plastic sleeve		Screw	Quantity [pcs]			Weight [kg]			Bar Codes
		Diameter [mm]	Length [mm]		Box	Outer	Pallet	Box	Outer	Pallet	
	R-GOK-015	15.5	15		1100	1100	52800	6.6	6.6	347.9	5906675101033
	R-GOK-035	15.5	35		600	600	28800	4.6	4.6	251.0	5906675101057
	R-GOK-065	15.5	65		400	400	19200	4.3	4.3	234.7	5906675101170
	R-GOK-075	15.5	75		300	300	14400	3.4	3.4	192.7	5906675106663
	R-GOK-085	15.5	85		300	300	14400	3.8	3.8	214.0	5906675106687
	R-GOK-095	15.5	95		250	250	12000	3.3	3.3	188.7	5906675106717
	R-GOK-105	15.5	105		250	250	12000	3.7	3.7	208.2	5906675106748
	R-GOK-125	15.5	125		200	200	9600	3.3	3.3	188.9	5906675106779
	R-GOK-135	15.5	135		200	200	9600	3.4	3.4	195.1	5906675106830
	R-GOK-165	15.5	165		150	150	7200	3.1	3.1	180.0	5906675106861
	R-GOK-185	15.5	185		100	100	4800	2.4	2.4	144.3	5906675106885
	R-GOK-225	15.5	225		100	100	4800	2.7	2.7	158.5	5906675107103
	R-GOK-255	15.5	255		75	75	3600	2.4	2.4	146.0	5906675112855
	R-GOK-285	15.5	285		75	75	3600	2.5	2.5	149.0	5906675107295
	R-GOK-325	15.5	325		50	50	2400	2.0	2.0	123.6	5906675108056
	R-GOK-385	15.5	385		50	50	2000	2.1	2.1	112.0	5906675108117
	R-GOK-425	15.5	425		50	50	1600	2.4	2.4	106.4	5906675108629
	R-GOK-525-N	15.5	525		50	50	600	4.2	4.2	80.0	5906675113883
	R-GOK-625-N	15.5	625		50	50	600	4.7	4.7	86.2	5906675113890
R-GOK-725-N	15.5	725		50	50	600	5.2	5.2	92.4	5906675113906	
Ø4.8	R-WX-48T050			50	250	3000	72000	1.17	14.1	367.8	5906675104157
	R-WX-48T060			60	250	3000	72000	1.39	16.6	429.5	5906675104164
	R-WX-48T070			70	250	3000	72000	1.61	19.3	492.2	5906675104171
	R-WX-48T080			80	250	3000	72000	1.86	22.3	564.8	5906675104188
	R-WX-48T100			100	200	2400	57600	1.86	22.4	566.8	5906675104201
	R-WX-48T120			120	200	2400	57600	2.2	26.9	675.4	5906675104232
	R-WX-48T140			140	200	2400	57600	2.6	31.3	780.2	5906675104256
	R-WX-48T160			160	100	1200	28800	1.51	18.1	463.7	5906675104263
	R-WX-48T180			180	100	100	16800	1.75	1.75	324.7	5906675104270
	R-WX-48T200			200	100	100	16800	1.93	1.93	353.6	5906675104287
R-WX-48T240			240	100	100	16800	2.3	2.3	408.8	5906675104300	
R-WX-48T300			300	100	100	16800	2.8	2.8	498.0	5906675104317	

1) ETA-09/0346