

FX-N-C Nylon hammer-in fixing with cylinder head

The hammer fixing made from best quality nylon for fast, simple, cost-effective installations



Approvals and Reports

- ETA-12/0457
- UKTA-22/6372



Product information

Features and benefits

- Rapid hammer-set installation reduces the time required and allows for cost-effective, high-volume installation.
- Cylinder head prevents plug slipping into over-sized holes and allows fix thin elements
- Combination of PZ recess and the helical thread makes removal of the nail possible, facilitating disassembly when necessary.
- The extensive range of product lengths, diameters and head types ensures availability of the correct fixing for every scenario.
- Designed for push-through installation.

Applications

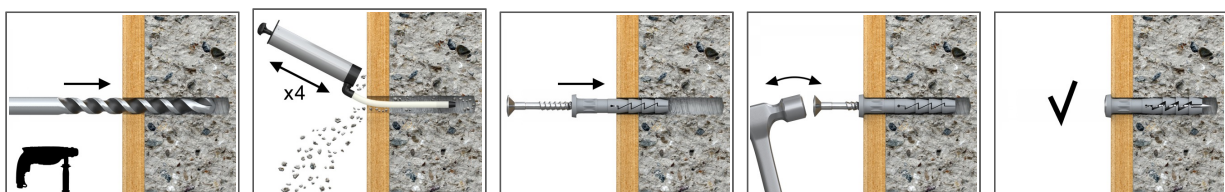
- Timber or metal battens
- Drywall structures
- Skirting / Dado railing
- Cable clamps
- Pipe clamps

Base materials

Approved for use in:

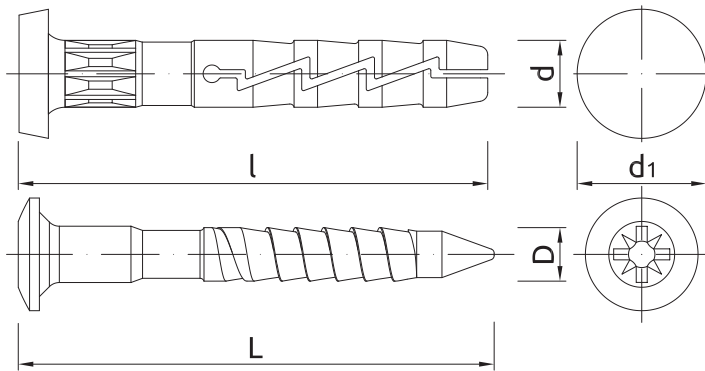
- Concrete
- Solid Brick
- Solid Sand-lime Brick
- Hollow Sand-lime Brick
- Lightweight Concrete Block
- Hollow Lightweight Concrete Block
- Aerated Concrete Block

Installation guide



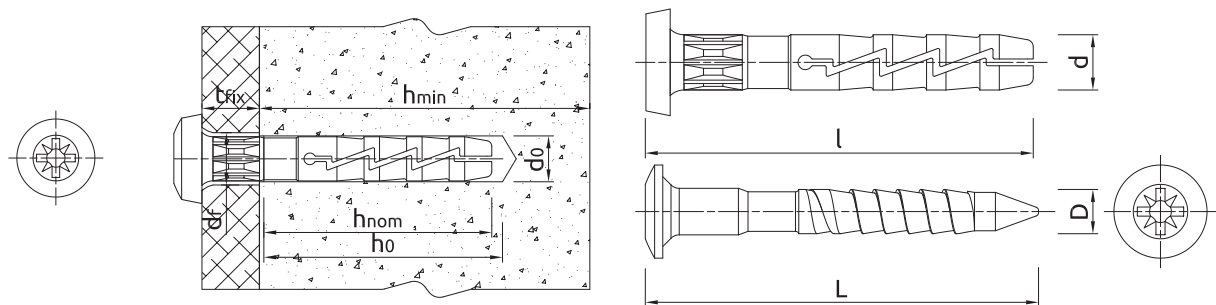
1. Drill a hole of required diameter.
2. Insert FX plug into hole through fixture.
3. Hammer the nail into the plastic sleeve until fixing is secure and flush with the fixture.

Product information



Size	Product Code	Plug		Nail		Fixture		Diameter	Quantity
		Diameter	Length	Diameter	Length	Max. thickness	Hole diameter		
		d	l	D	L	t _{fix}	d _f	d ₁	[pcs]
Ø5	FX-N-05C030	4.9	30	3.3	33	5	6	9	200
	FX-N-05C035	4.9	35	3.3	38	10	6	9	200
Ø6	FX-N-06C035	5.9	35	3.8	39	6	7	11	100
	FX-N-06C040	5.9	40	3.8	44	11	7	11	100
	FX-N-06C045	5.9	45	3.8	49	16	7	11	100
	FX-N-06C060	5.9	60	3.8	64	31	7	11	100
	FX-N-06C080	5.9	80	3.8	84	51	7	11	100
Ø8	FX-N-08C045	7.9	45	4.8	51	5	9	13.2	100
	FX-N-08C060	7.9	60	4.8	66	20	9	13.2	100
	FX-N-08C080	7.9	80	4.8	86	40	9	13.2	50
	FX-N-08C120	7.9	120	4.8	126	80	9	13.2	50
	FX-N-08C140	7.9	140	4.8	146	100	9	13.2	50
Ø5	FX-N-05C025	4.9	25	3.3	28	10	6	9	200
	FX-N-05C040	4.9	40	3.3	43	10	6	9	200
	FX-N-05C050	4.9	50	3.3	54	10	6	9	200
Ø8	FX-N-08C100	7.9	100	4.8	106	80	9	13.2	50
Ø6	FX-N-06C055	5.9	55	3.8	59	16	7	11	100
Ø8	R-FX-N-08C060	7.9	60	4.8	66	20	9	13.2	100
	R-FX-N-08C080	7.9	80	4.8	86	40	9	13.2	50
	R-FX-N-08C120	7.9	120	4.8	126	80	9	13.2	50
	R-FX-N-08C140	7.9	140	4.8	146	100	9	13.2	50
	R-FX-N-08C160	7.9	160	4.8	166	120	9	13.2	50

Installation data



Installation data

Product dimensions

Installation data

Size			Ø5	Ø6	Ø8
Hole diameter in substrate	d_0	[mm]	5	6	8
Min. hole depth in substrate	h_0	[mm]	30	35	45
Min. installation depth	h_{nom}	[mm]	25	29	40
Min. substrate thickness	h_{min}	[mm]	100	100	100
Min. spacing	s_{min}	[mm]	100	100	100
Min. edge distance	c_{min}	[mm]	100	100	100
Fixing diameter	d	[mm]	5	6	8

Basic performance data

Performance data for single fixing in tension without influence of edge distance and spacing

Substrate		Concrete C12/15	Concrete C20/25 - C50/60	Solid brick	Sand-lime solid brick	Sand-lime hollow brick	Lightweight concrete hollow block	Lightweight concrete block	Solid brick min. 30MPa	Autoclaved aerated concrete
POLYAMIDE PLUG										
MEAN ULTIMATE LOAD $N_{R,u,m}$										
TENSION LOAD $N_{R,u,m}$										
Ø05, Effective embedment depth 25 mm	[kN]	0.36	0.51	0.41	0.44	0.49	0.35	0.42	-	-
Ø06, Effective embedment depth 29 mm	[kN]	0.37	0.53	-	0.55	0.53	0.40	0.49	0.39	0.14
Ø08, Effective embedment depth 40 mm	[kN]	0.55	0.78	-	0.55	-	0.50	0.74	0.82	0.17
CHARACTERISTIC LOAD N_{Rk}										
TENSION LOAD N_{Rk}										
Ø05, Effective embedment depth 25 mm	[kN]	0.20	0.30	0.20	0.20	0.30	0.20	0.20	-	-
Ø06, Effective embedment depth 29 mm	[kN]	0.20	0.30	-	0.40	0.30	0.30	0.30	0.20	0.10
Ø08, Effective embedment depth 40 mm	[kN]	0.30	0.50	-	0.40	-	0.30	0.50	0.50	0.10
DESIGN LOAD N_{Rd}										
TENSION LOAD N_{Rd}										
Ø05, Effective embedment depth 25 mm	[kN]	0.10	0.15	0.10	0.10	0.15	0.10	0.10	-	-
Ø06, Effective embedment depth 29 mm	[kN]	0.10	0.15	-	0.20	0.15	0.15	0.15	0.10	0.05
Ø08, Effective embedment depth 40 mm	[kN]	0.15	0.25	-	0.20	-	0.15	0.25	0.25	0.05
RECOMMENDED LOAD N_{rec}										
TENSION LOAD N_{rec}										
Ø05, Effective embedment depth 25 mm	[kN]	0.07	0.11	0.07	0.07	0.11	0.07	0.07	-	-
Ø06, Effective embedment depth 29 mm	[kN]	0.07	0.11	-	0.14	0.11	0.11	0.11	0.07	0.04
Ø08, Effective embedment depth 40 mm	[kN]	0.11	0.18	-	0.14	-	0.11	0.18	0.18	0.04

Product commercial data

Product Code	Plug	Quantity [pcs]			Weight [kg]			Bar Codes
	Diameter [mm]	Box	Outer	Pallet	Box	Outer	Pallet	
FX-N-05C030 ¹⁾	4.9	200	4800	115200	1.60	38.4	951.6	5906675001258
FX-N-05C035 ¹⁾	4.9	200	4800	115200	0.58	13.9	364.1	5906675001265
FX-N-06C035 ¹⁾	5.9	100	2400	57600	0.39	9.3	252.9	5906675126050
FX-N-06C040 ¹⁾	5.9	100	1600	38400	0.44	7.1	200.5	5906675126067
FX-N-06C045 ¹⁾	5.9	100	1600	38400	0.49	7.8	217.0	5906675126074
FX-N-06C060 ¹⁾	5.9	100	1200	28800	0.60	7.3	204.0	5906675126081

Product commercial data

Product Code	Plug	Quantity [pcs]			Weight [kg]			Bar Codes
	Diameter [mm]	Box	Outer	Pallet	Box	Outer	Pallet	
FX-N-06C080 ¹⁾	5.9	100	1200	28800	0.75	9.1	247.2	5906675126098
FX-N-08C045 ¹⁾	7.9	100	1200	28800	0.79	9.5	257.0	5906675800066
FX-N-08C060 ¹⁾	7.9	100	1200	28800	0.80	9.6	260.4	5906675800073
FX-N-08C080 ¹⁾	7.9	50	600	14400	0.68	8.2	226.8	5906675261089
FX-N-08C120 ¹⁾	7.9	50	600	14400	0.93	11.2	298.7	5906675291017
FX-N-08C140 ¹⁾	7.9	50	600	14400	1.05	12.6	333.2	5906675291024
FX-N-08C160 ¹⁾	7.9	50	600	14400	1.20	14.4	375.6	5906675291000
FX-N-05C025 ¹⁾	4.9	200	4800	115200	0.80	19.2	490.8	5906675001241
FX-N-05C040 ¹⁾	4.9	200	3200	76800	0.19	3.1	103.3	5906675001272
FX-N-05C050 ¹⁾	4.9	200	2400	57600	0.71	8.5	233.3	5906675212784
FX-N-08C100 ¹⁾	7.9	50	600	14400	0.81	9.8	264.4	5906675266213
FX-N-06C055 ¹⁾	5.9	100	1200	28800	0.44	5.3	156.7	5906675264004
R-FX-N-08C120 ¹⁾	7.9	50	600	14400	0.95	11.4	303.9	5906675177588
R-FX-N-08C140 ¹⁾	7.9	50	600	14400	1.05	12.6	333.1	5906675119069
R-FX-N-08C160 ¹⁾	7.9	50	600	14400	1.20	14.4	375.6	5906675292588
R-FX-N-06C055 ¹⁾		100	1200	28800	0.44	5.3	156.7	5906675205175
R-FX-N-08C045 ¹⁾		100	1200	28800	0.76	9.1	248.9	5906675177601
R-FX-N-08C060 ¹⁾	7.9	100	1200	28800	1.06	12.7	333.8	5906675177625
R-FX-N-08C080 ¹⁾	7.9	50	600	14400	0.70	8.4	231.9	5906675177564
R-FX-N-05C025 ¹⁾		100	3200	76800	0.22	7.0	197.4	5906675176949
R-FX-N-05C040 ¹⁾		100	3200	76800	0.10	3.1	103.3	5906675177007
R-FX-N-05C050 ¹⁾		100	2400	57600	0.40	9.5	258.1	5906675212791

1) ETA-12/0457