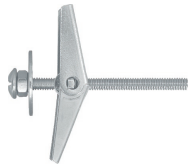


## Rawlplug® Rawl® RAWLTOGGLE ORIGINAL SINCE 1934

### Self-acting anchor





### Product information

#### Features and benefits

- Long screw of the toggle fixing allows use in boards of various thicknesses and with thick attachments, offering maximum flexibility.
- Wide transition beams ensure a good load distribution allowing high load-bearing capacity
- Allows easy installation for fastenings behind thick panels in very flat cavities.
- Self-acting anchor with easy installation.
- Suitable for overhead applications

#### Applications

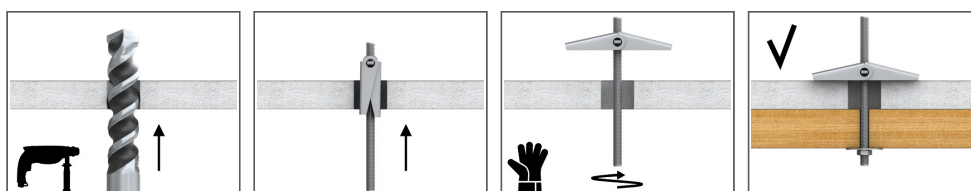
- Light shelving
- Brackets, grips and hooks
- Paintings
- Lamps
- Lighting
- Mirrors
- Shelves
- Other decorative elements

#### Base materials

##### Suitable for use in

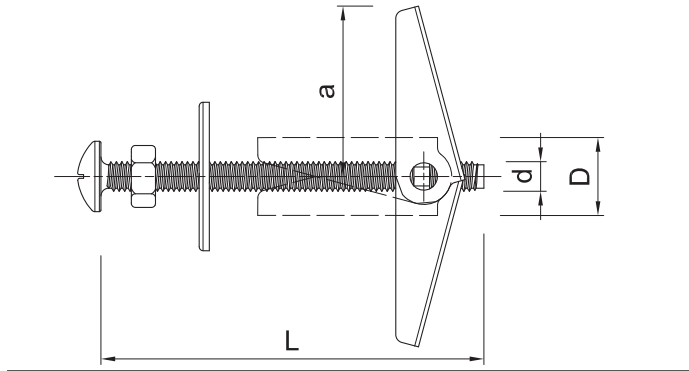
- Plasterboard
- Chipboard
- Oriented Strand Board
- PVC Profile

### Installation guide



1. Drill a hole of the required diameter.
2. Compress the 'wings' and push the fixing into the hole.
3. While tightening the screw, pull the fixture out from the wall or ceiling to prevent the 'wings' spinning freely.

## Product information



Size	Product Code
------	--------------

## Installation data

Substrate			Plasterboard min. 12.5
Hole diameter in substrate	$d_o$	[mm]	14
Min. installation depth	$h_{nom}$	[mm]	9.5
Min. substrate thickness	$h_{min}$	[mm]	9.5
Min. spacing	$s_{min}$	[mm]	100
Min. edge distance	$c_{min}$	[mm]	100
Fixing diameter	$d$	[mm]	4
Board thickness	$t_{fix}$	[mm]	9,5

## Product commercial data

Product Code	Quantity [pcs]			Weight [kg]			Bar Codes
	Box	Outer	Pallet	Box	Outer	Pallet	