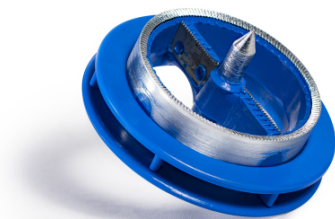


R-KFS Counterbore cutter

Cutter accessory for counterbored installation of TFIX hammer-in facade insulation fixings



Product information

Features and benefits

- Precise tool construction allows to cut polystyrene, polyurethane and mineral wool boards
- Countersunk installation (with post-installed insulation cap) reduces heat transmission and results in a homogenous insulation surface.
- Cost-saving solution, as countersunk installation allows selection of shorter fixings.

Applications

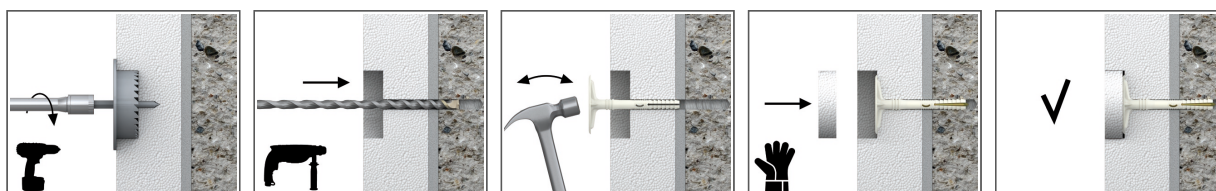
- Mineral wool (MW) boards
- Polystyrene (EPS) boards

Base materials

Approved for use in:

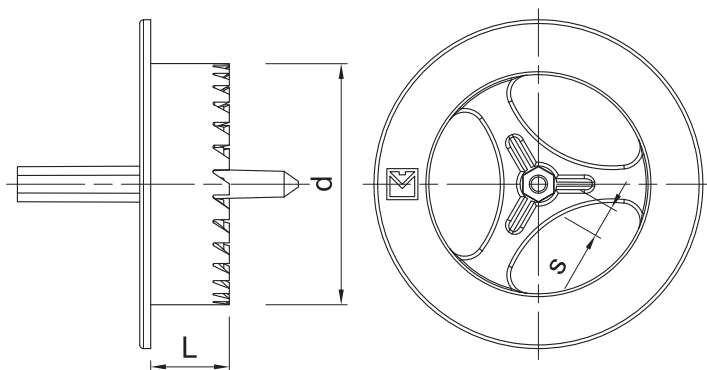
- Mineral Wool Boards
- Polystyrene (EPS) Boards

Installation guide



1. Cut the hole in insulation board
2. Insert cap into countersunk hole in insulation board following installation of the facade fixing

Product information



Size	Product Code	Milling depth
		L [mm]
Ø63	R-KFS-63/10	10

Product commercial data

Size	Product Code	Fixing			Quantity [pcs]			Weight [kg]			Bar Codes
		Diameter [mm]	Plate diameter [mm]	Length [mm]	Box	Outer	Pallet	Box	Outer	Pallet	
Ø63	R-KFS-63/10				1	16	2400	0.21	3.3	522.0	5906675493190
Ø8	R-TFIX-8M-135	8	60	135	200	200	8000	5.7	5.7	258.8	5906675269436
	R-TFIX-8M-155	8	60	155	200	200	6400	6.4	6.4	235.2	5906675269443
	R-TFIX-8M-175	8	60	175	200	200	6400	7.0	7.0	253.9	5906675269450
	R-TFIX-8M-195	8	60	195	200	200	6400	7.6	7.6	271.7	5906675269467
	R-TFIX-8M-215	8	60	215	100	100	4000	4.3	4.3	200.0	5906675269474
	R-TFIX-8M-235	8	60	235	100	100	4000	4.7	4.7	216.3	5906675269481
	R-TFIX-8M-255	8	60	255	100	100	4000	5.0	5.0	228.6	5906675269498
	R-TFIX-8M-275	8	60	275	100	100	4000	5.3	5.3	242.1	5906675269504
Ø8	R-TFIX-8S-115	8	60	115	200	200	8000	5.7	5.7	258.4	5906675417479
	R-TFIX-8S-135	8	60	135	200	200	8000	6.4	6.4	285.9	5906675417486
	R-TFIX-8S-155	8	60	155	200	200	6400	7.1	7.1	257.7	5906675417493
	R-TFIX-8S-175	8	60	175	200	200	6400	7.8	7.8	278.8	5906675417509
	R-TFIX-8S-195	8	60	195	200	200	6400	8.5	8.5	300.8	5906675417516
	R-TFIX-8S-215	8	60	215	100	100	4000	4.8	4.8	222.2	5906675417530
	R-TFIX-8S-235	8	60	235	100	100	4000	5.0	5.0	231.5	5906675417547
	R-TFIX-8S-255	8	60	255	100	100	4000	5.5	5.5	249.8	5906675417554
Ø8	R-TFIX-8S-275	8	60	275	100	100	4000	5.8	5.8	263.2	5906675417561
	R-TFIX-8S-295	8	60	295	100	100	4000	6.1	6.1	272.1	5906675417578
	R-TFIX-8S-315	8	60	315	100	100	4000	6.3	6.3	281.6	5906675498935
	R-TFIX-8S-335	8	60	335	100	100	4000	6.7	6.7	297.9	5906675417585
	R-TFIX-8S-355	8	60	355	100	100	3200	7.3	7.3	264.9	5906675417592
	R-TFIX-8S-375	8	60	375	100	100	3200	7.6	7.6	274.4	5906675417608
	R-TFIX-8S-395	8	60	395	50	50	1600	4.2	4.2	164.9	5906675417615
	R-TFIX-8S-415	8	60	415	50	50	1600	4.4	4.4	171.5	5906675417639
Ø8	R-TFIX-8S-435	8	60	435	50	50	1600	4.5	4.5	174.7	5906675417646
	R-TFIX-8S-455	8	60	455	50	50	1600	4.8	4.8	183.8	5906675417653
	R-TFIX-8S-115-X	8	60	115	200	200	8000	5.3	5.3	243.0	5906675417660
	R-TFIX-8S-135-X	8	60	135	200	200	8000	5.9	5.9	267.6	5906675417677
	R-TFIX-8S-155-X	8	60	155	200	200	8000	6.8	6.8	300.2	5906675417684
	R-TFIX-8S-175-X	8	60	175	200	200	6400	7.4	7.4	267.0	5906675417691
	R-TFIX-8S-195-X	8	60	195	200	200	6400	8.0	8.0	284.2	5906675417707

Product commercial data

Size	Product Code	Fixing			Quantity [pcs]			Weight [kg]			Bar Codes
		Diameter [mm]	Plate diameter [mm]	Length [mm]	Box	Outer	Pallet	Box	Outer	Pallet	
Ø8	R-TFIX-8S-215-X	8	60	215	100	100	4000	4.5	4.5	211.1	5906675417714
	R-TFIX-8S-235-X	8	60	235	100	100	4000	4.9	4.9	225.2	5906675417738
	R-TFIX-8S-255-X	8	60	255	100	100	4000	5.3	5.3	239.8	5906675417745
	R-TFIX-8S-275-X	8	60	275	100	100	4000	5.5	5.5	249.4	5906675417752
	R-TFIX-8S-295-X	8	60	295	100	100	4000	5.9	5.9	267.5	5906675417769
	R-TFIX-8S-335-X	8	60	335	100	100	3200	6.5	6.5	238.1	5906675417776
	R-TFIX-8S-355-X	8	60	355	100	100	3200	7.1	7.1	256.5	5906675417783
	R-TFIX-8S-375-X	8	60	375	100	100	3200	7.3	7.3	264.2	5906675417790
	R-TFIX-8S-395-X	8	60	395	50	50	1600	4.2	4.2	162.7	5906675417806
	R-TFIX-8S-415-X	8	60	415	50	50	1600	4.3	4.3	167.3	5906675417813
	R-TFIX-8S-435-X	8	60	435	50	50	1600	4.4	4.4	170.7	5906675417837
	R-TFIX-8S-455-X	8	60	455	50	50	1600	4.6	4.6	177.1	5906675417844
Ø8	R-TFIX-8S-315-X	8	60	315	100	100	3200	6.2	6.2	228.7	5906675498942
	TFIX-8M-095	8	60	95	200	200	9600	4.5	4.5	246.0	5906675188768
Ø8	TFIX-8M-115	8	60	115	200	200	8000	5.1	5.1	234.2	5906675188775
	TFIX-8S-115	8	60	115	200	200	8000	5.8	5.8	263.7	5906675033853
	TFIX-8S-135	8	60	135	200	200	8000	6.4	6.4	286.4	5906675027579
	TFIX-8S-155	8	60	155	200	200	6400	7.2	7.2	259.8	5906675028774
	TFIX-8S-175	8	60	175	200	200	6400	7.8	7.8	278.9	5906675028323
	TFIX-8S-195	8	60	195	200	200	6400	8.5	8.5	301.7	5906675027845
	TFIX-8S-215	8	60	215	100	100	4000	4.8	4.8	223.5	5906675028026
	TFIX-8S-235	8	60	235	100	100	4000	5.1	5.1	233.8	5906675028347
	TFIX-8S-255	8	60	255	100	100	4000	5.4	5.4	244.0	5906675049670
	TFIX-8S-275	8	60	275	100	100	4000	5.7	5.7	258.0	5906675018843
	TFIX-8S-295	8	60	295	100	100	4000	6.2	6.2	276.0	5906675018850
	TFIX-8S-335	8	60	335	100	100	4000	6.7	6.7	297.4	5906675018867
	TFIX-8S-355	8	60	355	100	100	3200	7.3	7.3	263.3	5906675088044
	TFIX-8S-375	8	60	375	100	100	3200	7.5	7.5	271.1	5906675087313
	TFIX-8S-395	8	60	395	50	50	1600	4.3	4.3	166.1	5906675079042
	TFIX-8S-415	8	60	415	50	50	1600	4.5	4.5	172.3	5906675088822
	TFIX-8S-435	8	60	435	50	50	1600	4.6	4.6	177.3	5906675117140
	TFIX-8S-455	8	60	455	50	50	1600	4.7	4.7	180.1	5906675335131