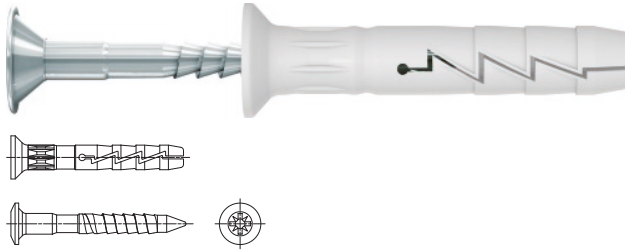


## R-FX-N-L Nylon hammer-in fixing with countersunk head

The hammer fixing made from best quality nylon for fast, simple, cost-effective installations



### Approvals and Reports

- ETA-12/0457
- UKTA-22/6372



### Product information

#### Features and benefits

- Rapid hammer-set installation reduces the time required and allows for cost-effective, high-volume installation.
- Combination of PZ recess and the helical thread makes removal of the nail possible, facilitating disassembly when necessary.
- The extensive range of product lengths and diameters with countersunk head type ensures availability of the correct fixing for every scenario
- Designed for push-through installation.

#### Applications

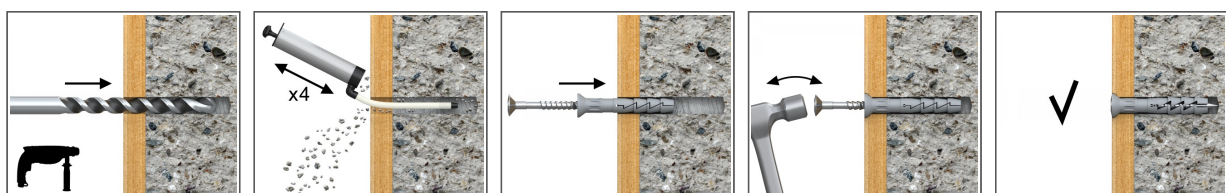
- Timber or metal battens
- Drywall structures
- Skirting / Dado railing
- Cable clamps
- Pipe clamps

#### Base materials

##### Approved for use in:

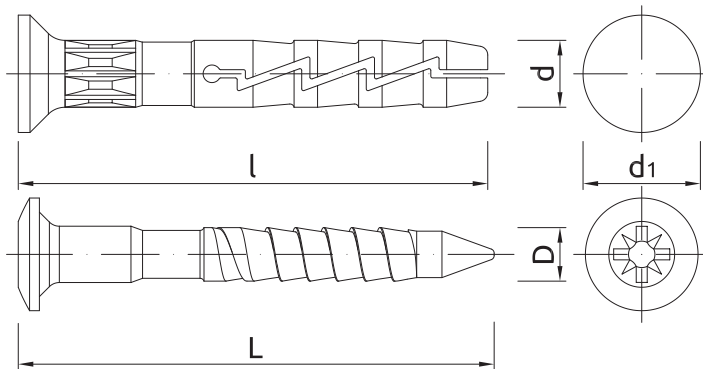
- Concrete
- Solid Brick
- Solid Sand-lime Brick
- Hollow Sand-lime Brick
- Lightweight Concrete Block
- Hollow Lightweight Concrete Block
- Aerated Concrete Block

### Installation guide



1. Drill a hole of required diameter.
2. Insert FX plug into hole through fixture.
3. Hammer the nail into the plastic sleeve until fixing is secure and flush with the fixture.

**Product information**



Size	Product Code	Plug		Fixture		Nail		Diameter	Quantity
		Diameter	Length	Max. thickness	Hole diameter	Length	Diameter		
		d	l	t <sub>fix</sub>	d <sub>f</sub>	L	D	d <sub>1</sub>	[mm]
Ø5	R-FX-N-05L030W	4.9	30	5	6	33	3.3	8.5	100
	R-FX-N-05L030Y	4.9	30	5	6	33	3.3	8.5	-
	R-FX-N-05L040W	4.9	40	15	6	43	3.3	8.5	100
	R-FX-N-05L040Y	4.9	40	15	6	43	3.3	8.5	100
	R-FX-N-05L050W	4.9	50	25	6	54	3.3	8.5	100
	R-FX-N-05L050Y	4.9	50	25	6	54	3.3	8.5	100
Ø6	R-FX-N-06L080	5.9	80	51	7	84	3.8	10	100

**Product commercial data**

Product Code	Plug	Quantity [pcs]			Weight [kg]			Bar Codes
	Diameter [mm]	Box	Outer	Pallet	Box	Outer	Pallet	
R-FX-N-05L030W <sup>1)</sup>	4.9	100	3200	76800	0.28	8.9	242.7	5906675177120
R-FX-N-05L030Y <sup>1)</sup>	4.9	100	2400	57600	0.27	6.6	188.2	5906675177083
R-FX-N-05L040W <sup>1)</sup>	4.9	100	3200	76800	0.32	10.2	275.8	5906675177229
R-FX-N-05L040Y <sup>1)</sup>	4.9	100	3200	76800	0.32	10.2	275.8	5906675177182
R-FX-N-05L050W <sup>1)</sup>	4.9	100	3200	76800	0.39	12.5	330.0	5906675177304
R-FX-N-05L050Y <sup>1)</sup>	4.9	100	2400	57600	0.39	9.2	251.8	5906675177267
R-FX-N-06L035 <sup>1)</sup>		100	2400	57600	0.41	9.8	264.4	5906675177489
R-FX-N-06L080 <sup>1)</sup>	5.9	100	1200	28800	0.75	9.0	246.0	5906675177540
R-FX-N-05L030 <sup>1)</sup>		100	3200	76800	0.27	8.7	238.1	5906675177069
R-FX-N-05L025 <sup>1)</sup>		100	2400	57600	0.26	6.3	180.7	5906675177045
R-FX-N-05L040 <sup>1)</sup>		100	3200	76800	0.33	10.4	279.6	5906675177168
R-FX-N-05L050 <sup>1)</sup>		100	2400	57600	0.41	9.8	265.6	5906675177021
R-FX-N-05L035 <sup>1)</sup>		100	2400	57600	1.50	36.0	894.0	5906675177144

1) ETA-12/0457