

## R-FX-N-K Nylon hammer-in fixing with mushroom head

The hammer fixing with mushroom head made from best quality nylon for fast, simple, cost-effective installations



### Approvals and Reports

- ETA-12/0457
- UKTA-22/6372



### Product information

#### Features and benefits

- Rapid hammer-set installation reduces the time required and allows for cost-effective, high-volume installation.
- Combination of PZ recess and the helical thread makes removal of the nail possible, facilitating disassembly when necessary.
- The extensive range of lengths and diameters mushroom head type plug ensures availability of the correct fixing for every scenario
- Designed for push-through installation.
- Nylon material for best quality

#### Applications

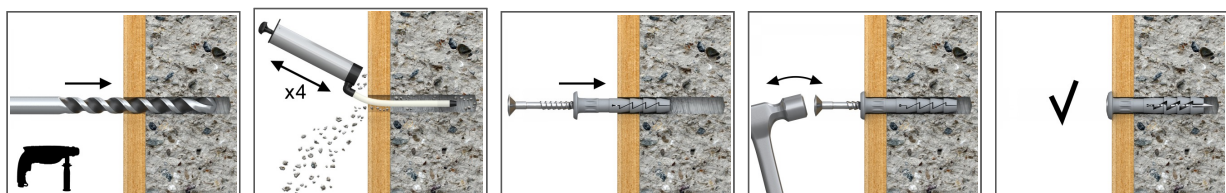
- Timber or metal battens
- Drywall structures
- Skirting / Dado railing
- Cable clamps
- Pipe clamps
- Sheeting

#### Base materials

##### Approved for use in:

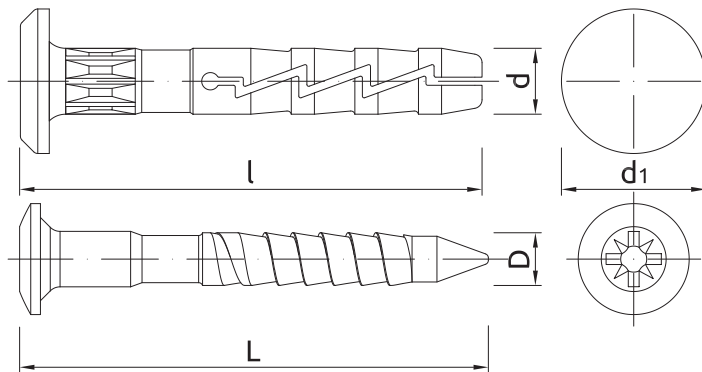
- Concrete
- Solid Brick
- Solid Sand-lime Brick
- Lightweight Concrete Block
- Hollow Lightweight Concrete Block
- Aerated Concrete Block

### Installation guide



1. Drill a hole of required diameter.
2. Insert FX plug into hole through fixture.
3. Hammer the nail into the plastic sleeve until fixing is secure and flush with the fixture.

### Product information



Size	Product Code	Plug		Fixture		Nail		Diameter	Quantity
		Diameter	Length	Max. thickness	Hole diameter	Length	Diameter		
		d	l	t <sub>fix</sub>	d <sub>f</sub>	L	D	d <sub>1</sub>	[mm]
Ø6	R-FX-N-06K080	5.9	80	51	7	84	3.8	12.5	100

### Product commercial data

Product Code	Plug Diameter [mm]	Quantity [pcs]			Weight [kg]			Bar Codes
		Box	Outer	Pallet	Box	Outer	Pallet	
R-FX-N-06K060 <sup>1)</sup>		100	1200	28800	0.64	7.7	215.2	5906675177441
R-FX-N-06K040 <sup>1)</sup>		100	1600	38400	0.47	7.5	209.7	5906675177427
R-FX-N-06K080 <sup>1)</sup>	5.9	100	1200	28800	0.74	8.9	244.3	5906675177465

1) ETA-12/0457