

FIX EXPANSION PLUG WITH COLLAR AND ROUND HOOK

Easy-to-install plug with collar and round hook giving exceptional performance in solid base materials



Product information

Features and benefits

- Anti-rotation fins prevent spinning during tightening of the screw.
- Engineered grip feature for extra holding power.
- Two-way expansion mechanism provides a strong anchorage in solid base materials.
- Round hook screw for many application scenarios
- Flange ensures flush fit to surface.

Applications

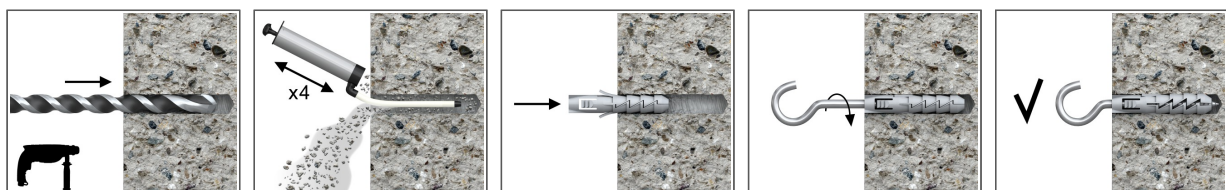
- Pictures
- Lighting
- Letterboxes

Base materials

Approved for use in:

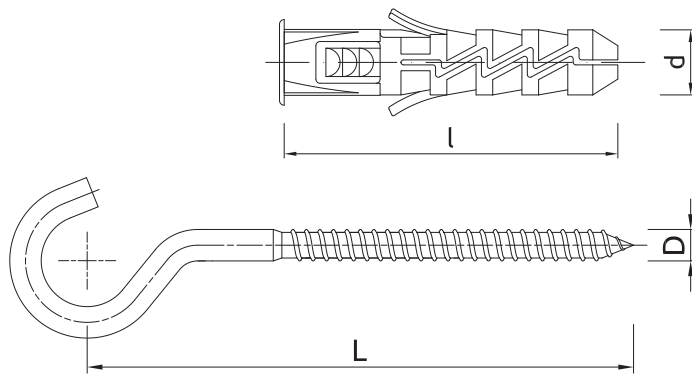
- Concrete

Installation guide



1. Drill a hole of required diameter.
2. Insert FIX plug into hole and tap home.
3. Insert round hook of required diameter into plug through fixture and tighten

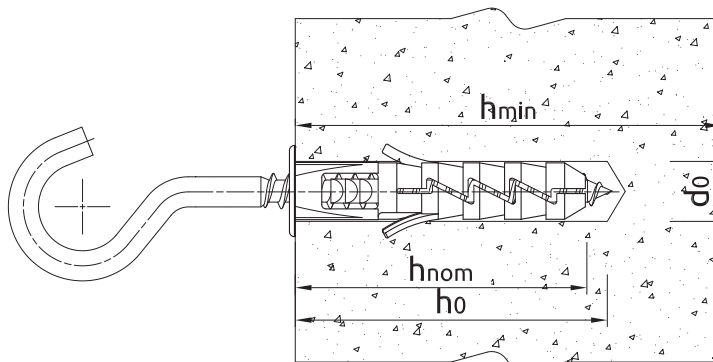
Product information



Product dimensions

Size	Product Code	Plug		Screw	
		Diameter	Length	Diameter	Length
		d	l	D	L
[mm]					
Ø6	FIX-K-06S	6	30	4,5	50
Ø8	FIX-K-08S	8	40	5,0	65
Ø10	FIX-K-10S	10	50	6,0	85

Installation data



Installation data for round hook

Size			Ø6	Ø8	Ø10
Fixing diameter	d	[mm]	6	8	10
Hole diameter in substrate	d ₀	[mm]	6	8	10
Min. hole depth in substrate	h ₀	[mm]	40	50	60
Min. installation depth	h _{nom}	[mm]	30	40	50
Min. substrate thickness	h _{min}	[mm]	60	70	80
Min. spacing	s _{min}	[mm]	30	40	30
Min. edge distance	c _{min}	[mm]	30	40	40

Basic performance data

Performance data for single fixing without influence of edge distance and spacing

Substrate		Concrete C20/25 - C50/60	
CHARACTERISTIC LOAD F _{Rk}			
Ø6, Embedment depth 30mm	[kN]	0.38	
Ø8, Embedment depth 40mm	[kN]	0.43	
Ø10, Embedment depth 50mm	[kN]	1.10	

Basic performance data

Substrate		Concrete C20/25 - C50/60	
DESIGN LOAD F_{Rd}			
Ø6, Embedment depth 30mm	[kN]		0.21
Ø8, Embedment depth 40mm	[kN]		0.24
Ø10, Embedment depth 50mm	[kN]		0.61
RECOMMENDED LOAD F_{rec}			
Ø6, Embedment depth 30mm	[kN]		0.15
Ø8, Embedment depth 40mm	[kN]		0.17
Ø10, Embedment depth 50mm	[kN]		0.44

Product commercial data

Product Code	Plug	Screw	Quantity [pcs]			Weight [kg]			Bar Codes
	Diameter [mm]	Length [mm]	Box	Outer	Pallet	Box	Outer	Pallet	
FIX-K-06S	6	50	200	3200	76800	0.80	12.8	337.2	5906675001005
FIX-K-08S	8	65	100	1600	38400	0.95	15.2	394.8	5906675001029
FIX-K-10S	10	85	50	600	14400	0.89	10.7	286.5	5906675130859