

FIX EXPANSION PLUG WITH COLLAR AND ANGLE HOOK

Easy-to-install plug with collar and angle hook giving exceptional performance in solid base materials



Product information

Features and benefits

- Anti-rotation fins prevent spinning during tightening of the screw.
- Engineered grip feature for extra holding power.
- Two-way expansion mechanism provides a strong anchorage in solid base materials.
- Flange ensures flush fit to surface.
- Angle hook for many application scenarios

Applications

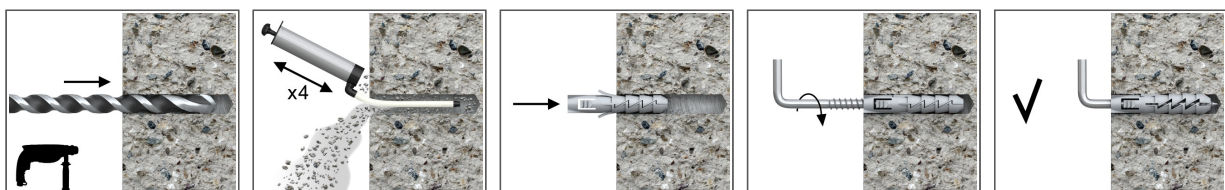
- Pictures
- Lighting
- Shelves
- Letterboxes

Base materials

Approved for use in:

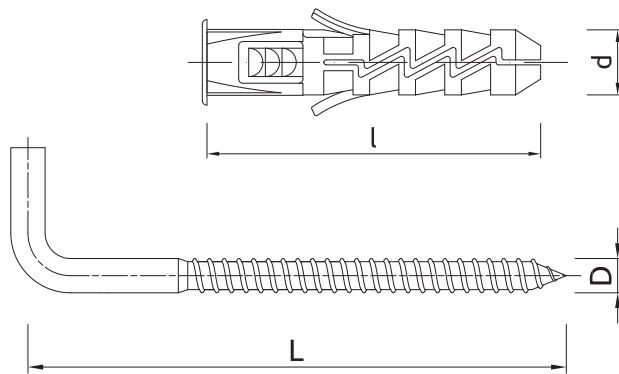
- Concrete

Installation guide



1. Drill a hole of required diameter.
2. Insert FIX plug into hole and tap home.
3. Insert angle hook screw of required diameter into plug through fixture and tighten

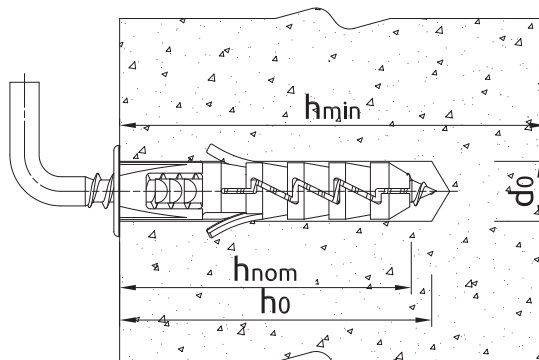
Product information



Product dimensions

Size	Product Code	Plug		Screw	
		Diameter	Length	Diameter	Length
		d	l	D	L
[mm]					
Ø6	FIX-K-06K	6	30	4,5	35
Ø8	FIX-K-08K	8	40	5,0	50
Ø10	FIX-K-10K	10	50	6,0	55
Ø12	FIX-K-12K	12	60	8,0	65

Installation data



Installation data

Size			Ø6	Ø8	Ø10	Ø12
Fixing diameter	d	[mm]	6	8	10	12
Hole diameter in substrate	d ₀	[mm]	6	8	10	12
Min. hole depth in substrate	h ₀	[mm]	40	50	60	70
Min. installation depth	h _{nom}	[mm]	30	40	50	60
Min. substrate thickness	h _{min}	[mm]	60	70	80	90
Min. spacing	s _{min}	[mm]	30	40	30	30
Min. edge distance	c _{min}	[mm]	30	40	40	40

Basic performance data

Performance data for single fixing without influence of edge distance and spacing

Substrate		Concrete C20/25 - C50/60	
CHARACTERISTIC LOAD F_{Rk}			
Ø6, Embedment depth 30mm	[kN]		0.48
Ø8, Embedment depth 40mm	[kN]		0.88
Ø10, Embedment depth 50mm	[kN]		1.78
Ø12, Embedment depth 60mm	[kN]		3.28
DESIGN LOAD F_{Rd}			
Ø6, Embedment depth 30mm	[kN]		0.27
Ø8, Embedment depth 40mm	[kN]		0.49
Ø10, Embedment depth 50mm	[kN]		0.99
Ø12, Embedment depth 60mm	[kN]		1.82
RECOMMENDED LOAD F_{rec}			
Ø6, Embedment depth 30mm	[kN]		0.19
Ø8, Embedment depth 40mm	[kN]		0.35
Ø10, Embedment depth 50mm	[kN]		0.71
Ø12, Embedment depth 60mm	[kN]		1.30

Product commercial data

Product Code	Plug	Screw	Quantity [pcs]			Weight [kg]			Bar Codes
	Diameter [mm]	Length [mm]	Box	Outer	Pallet	Box	Outer	Pallet	
FIX-K-06K	6	35	200	4800	115200	0.56	13.4	352.2	5906675000992
FIX-K-08K	8	50	100	1600	38400	0.62	10.0	269.5	5906675001012
FIX-K-10K	10	55	100	1200	28800	1.23	14.7	383.8	5906675001036
FIX-K-12K	12	65	50	600	14140	1.30	15.7	399.0	5906675130866