

FIX EXPANSION PLUG WITH COLLAR AND COCHLEAR HOOK

Easy-to-install plug with collar and cochlear hook giving exceptional performance in solid base materials



Product information

Features and benefits

- Anti-rotation fins prevent spinning during tightening of the screw.
- Engineered grip feature for extra holding power.
- Two-way expansion mechanism provides a strong anchorage in solid base materials.
- Cochlear hook for many application scenarios
- Flange ensures flush fit to surface.

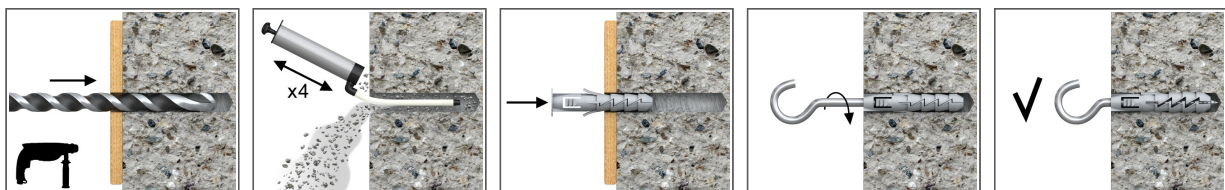
Applications

- Swing
- Lighting

Base materials

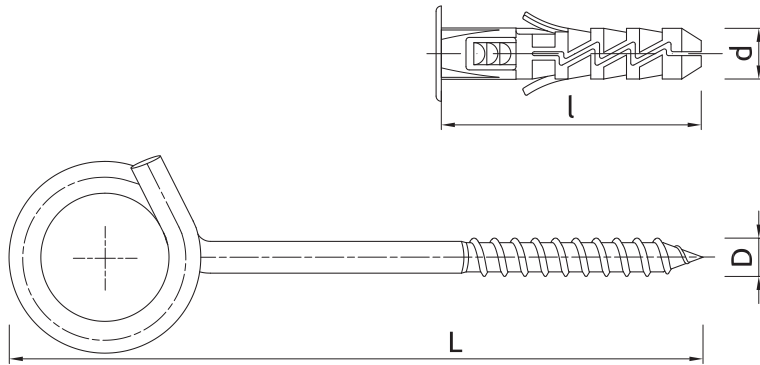
- Approved for use in:
- Concrete

Installation guide



1. Drill a hole of required diameter.
2. Insert FIX plug into hole and tap home.
3. Insert screw with pig tail hook of required diameter into plug through fixture and tighten

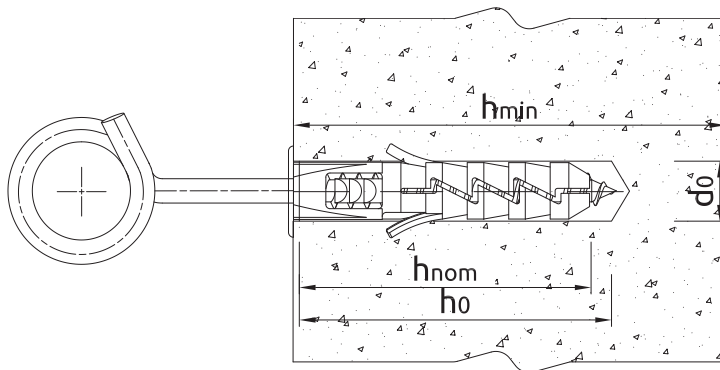
Product information



Product dimensions

Size	Product Code
------	--------------

Installation data



Installation data

Size	Ø12		
Hole diameter in substrate	d_0	[mm]	12
Min. hole depth in substrate	h_0	[mm]	70
Min. installation depth	h_{nom}	[mm]	60
Min. substrate thickness	h_{min}	[mm]	90
Min. spacing	s_{min}	[mm]	120
Min. edge distance	c_{min}	[mm]	120
Fixing diameter	d	[mm]	12

Basic performance data

Performance data for single fixing without influence of edge distance and spacing

Substrate	Concrete C20/25 - C50/60	Solid clay brick min 20MPa (eg Mz20/2.0)	Sand-lime solid brick	Aerated concrete 600 Mark V
CHARACTERISTIC LOAD				
TENSION LOAD N_{Rk}				
Ø12, Embedment depth 60mm	[kN]	1.20	1.20	1.25
SHEAR LOAD V_{Rk}				
Ø12, Embedment depth 60mm	[kN]	1.20	1.20	2.00
DESIGN LOAD				
TENSION LOAD N_{Rd}				
Ø12, Embedment depth 60mm	[kN]	0.67	0.48	1.00
SHEAR LOAD V_{Rd}				
Ø12, Embedment depth 60mm	[kN]	0.96	0.96	1.60

Basic performance data

Substrate		Concrete C20/25 - C50/60	Solid clay brick min 20MPa (eg Mz20/2.0)	Sand-lime solid brick	Aerated concrete 600 Mark V
RECOMMENDED LOAD					
TENSION LOAD N_{rec}					
Ø12, Embedment depth 60mm	[kN]	0.48	0.34	0.71	0.71
SHEAR LOAD V_{rec}					
Ø12, Embedment depth 60mm	[kN]	0.69	0.69	1.71	1.14