

FIX EXPANSION PLUG WITH COLLAR AND COCHLEAR HOOK

Easy-to-install plug with collar and cochlear hook giving exceptional performance in solid base materials



Product information

Features and benefits

- Anti-rotation fins prevent spinning during tightening of the screw.
- Engineered grip feature for extra holding power.
- Two-way expansion mechanism provides a strong anchorage in solid base materials.
- Cochlear hook for many application scenarios
- Flange ensures flush fit to surface.

Applications

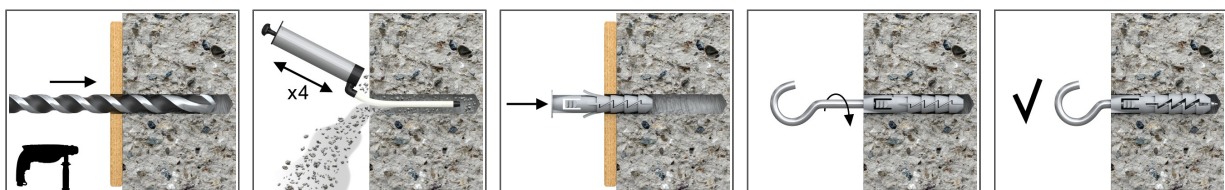
- Swing
- Lighting

Base materials

Approved for use in:

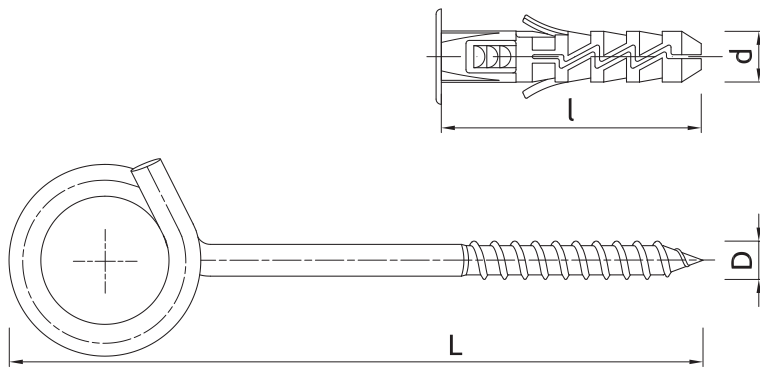
- Concrete

Installation guide



1. Drill a hole of required diameter.
2. Insert FIX plug into hole and tap home.
3. Insert screw with pig tail hook of required diameter into plug through fixture and tighten

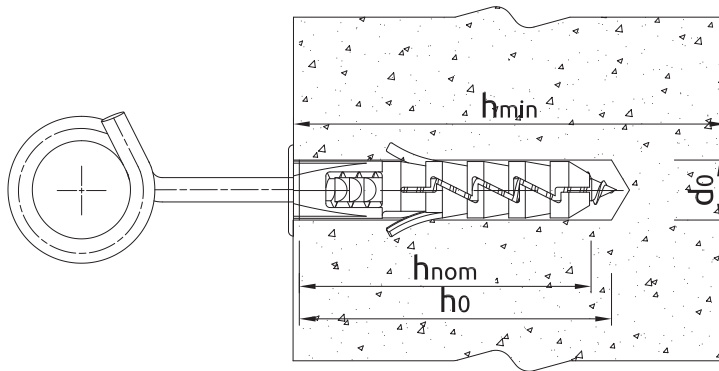
Product information



Product dimensions

Size	Product Code	Plug		Screw	
		Diameter	Length	Diameter	Length
		d	l	D	L
[mm]					
Ø12	FIX-K-12H	12	60	8,0	130

Installation data



Installation data

Size	Ø12		
Fixing diameter	d	[mm]	12
Hole diameter in substrate	d ₀	[mm]	12
Min. hole depth in substrate	h ₀	[mm]	70
Min. installation depth	h _{nom}	[mm]	60
Min. substrate thickness	h _{min}	[mm]	90
Min. spacing	s _{min}	[mm]	120
Min. edge distance	c _{min}	[mm]	120

Basic performance data

Performance data for single fixing without influence of edge distance and spacing

Substrate	Concrete C20/25 - C50/60	Solid clay brick min 20MPa (eg Mz20/2.0)	Sand-lime solid brick	Aerated concrete 600 Mark V
CHARACTERISTIC LOAD				
TENSION LOAD N_{Rk}				
Ø12, Embedment depth 60mm	[kN] 1.20	1.20	1.25	1.25
SHEAR LOAD V_{Rk}				
Ø12, Embedment depth 60mm	[kN] 1.20	1.20	3.00	2.00
DESIGN LOAD				
TENSION LOAD N_{Rd}				
Ø12, Embedment depth 60mm	[kN] 0.67	0.48	1.00	1.00

Basic performance data

Substrate		Concrete C20/25 - C50/60	Solid clay brick min 20MPa (eg Mz20/2.0)	Sand-lime solid brick	Aerated concrete 600 Mark V
SHEAR LOAD V_{rd}					
Ø12, Embedment depth 60mm	[kN]	0.96	0.96	2.40	1.60
RECOMMENDED LOAD					
TENSION LOAD N_{rec}					
Ø12, Embedment depth 60mm	[kN]	0.48	0.34	0.71	0.71
SHEAR LOAD V_{rec}					
Ø12, Embedment depth 60mm	[kN]	0.69	0.69	1.71	1.14

Product commercial data

Product Code	Plug	Screw	Quantity [pcs]			Weight [kg]			Bar Codes
	Diameter [mm]	Length [mm]	Box	Outer	Pallet	Box	Outer	Pallet	
FIX-K-12H	12	130	25	300	7200	1.39	16.6	429.1	5906675130873