

FIX NYLON EXPANSION PLUG WITH SCREW

Easy-to-install plug giving exceptional performance in solid base materials



Product information

Features and benefits

- Anti-rotation fins prevent spinning during tightening of the screw.
- Engineered grip feature for extra holding power.
- Two-way expansion mechanism provides a strong anchorage in solid base materials.
- Small edge distances achievable.

Applications

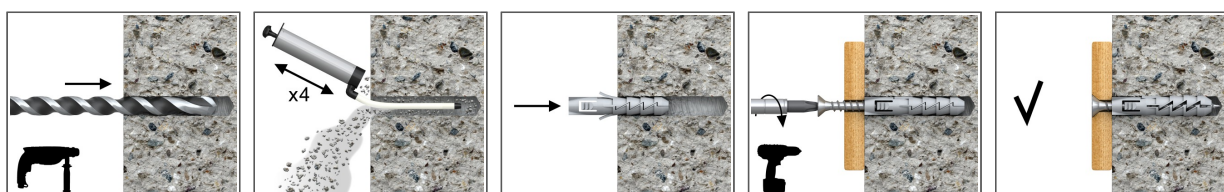
- Pictures
- Lighting
- Skirting / Dado railing
- Shelves
- Trunking
- Cable trays
- Electrical fittings
- Letterboxes

Base materials

Approved for use in:

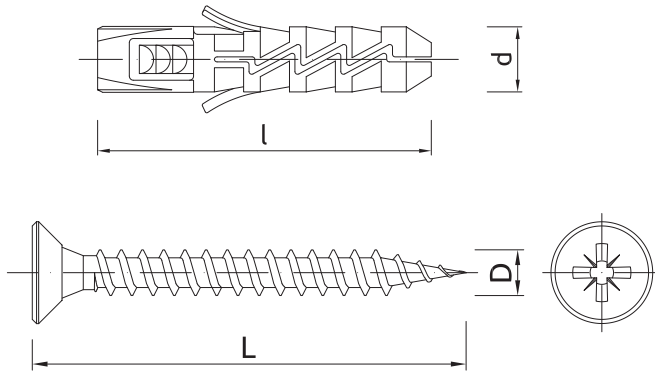
- Concrete
- Solid Brick
- Solid Sand-lime Brick
- Aerated Concrete Block

Installation guide



1. Drill a hole of required diameter.
2. Insert FIX plug into hole and tap home.
3. Insert screw of required diameter into plug through fixture and tighten.

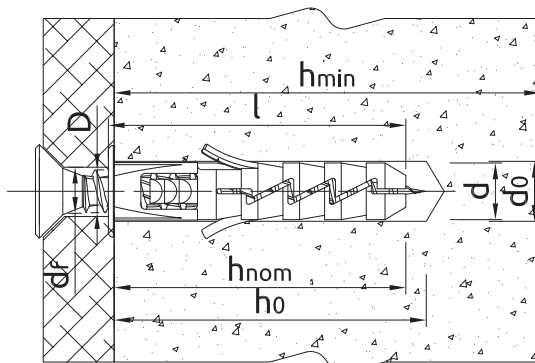
Product information



Product dimensions

Size	Product Code	Plug		Screw		Fixture	
		Diameter	Length	Diameter	Length	Max. thickness	Hole diameter
		d	l	D	L	t _{fix}	d _f
[mm]							
Ø5	FIX-N-05+	5	25	3,5	30	5	4
Ø6	FIX-N-06+440	6	30	4	40	10	5
Ø8	FIX-N-08+550	8	40	5	50	10	6
Ø10	FIX-N-10+660	10	50	6	60	10	7

Installation data



Installation data

Size			Ø5	Ø6	Ø8	Ø10
Fixing diameter	d	[mm]	5	6	8	10
Hole diameter in substrate	d ₀	[mm]	5	6	8	10
Min. hole depth in substrate	h ₀	[mm]	35	40	50	60
Min. installation depth	h _{nom}	[mm]	25	30	40	50
Min. substrate thickness	h _{min}	[mm]	55	60	70	80
Min. spacing	s _{min}	[mm]	25	30	40	30
Min. edge distance	c _{min}	[mm]	25	30	40	40

Basic performance data

Performance data for single fixing without influence of edge distance and spacing

Substrate		Concrete C20/25 - C50/60	Solid clay brick min 20MPa (eg Mz20/2.0)	Sand-lime solid brick	Aerated concrete 600 Mark V
MEAN ULTIMATE LOAD $F_{Ru,m}$					
Ø5, Embedment depth 25mm	[kN]	0.26	0.32	0.22	0.30
Ø6, Embedment depth 30mm	[kN]	0.24	1.11	0.65	0.76
Ø8, Embedment depth 40mm	[kN]	1.02	2.92	1.65	1.17
Ø10, Embedment depth 50mm	[kN]	0.78	1.86	1.62	1.64
CHARACTERISTIC LOAD F_{Rk}					
Ø5, Embedment depth 25mm	[kN]	0.10	0.15	0.10	0.15
Ø6, Embedment depth 30mm	[kN]	0.15	0.40	0.30	0.40
Ø8, Embedment depth 40mm	[kN]	0.50	2.00	1.20	0.75
Ø10, Embedment depth 50mm	[kN]	0.40	0.90	0.60	0.90
DESIGN LOAD F_{Rd}					
Ø5, Embedment depth 25mm	[kN]	0.05	0.06	0.04	0.07
Ø6, Embedment depth 30mm	[kN]	0.08	0.16	0.12	0.20
Ø8, Embedment depth 40mm	[kN]	0.27	0.80	0.48	0.37
Ø10, Embedment depth 50mm	[kN]	0.22	0.36	0.24	0.45
RECOMMENDED LOAD F_{rec}					
Ø5, Embedment depth 25mm	[kN]	0.04	0.04	0.03	0.05
Ø6, Embedment depth 30mm	[kN]	0.06	0.11	0.09	0.14
Ø8, Embedment depth 40mm	[kN]	0.19	0.57	0.34	0.26
Ø10, Embedment depth 50mm	[kN]	0.16	0.26	0.17	0.32

Product commercial data

Product Code	Plug	Screw	Quantity [pcs]			Weight [kg]			Bar Codes
	Diameter [mm]	Length [mm]	Box	Outer	Pallet	Box	Outer	Pallet	
FIX-N-05+	5	30	200	6400	153600	0.40	12.8	336.9	5906675290997
FIX-N-06+440	6	40							
FIX-N-08+550	8	50							
FIX-N-10+660	10	60							