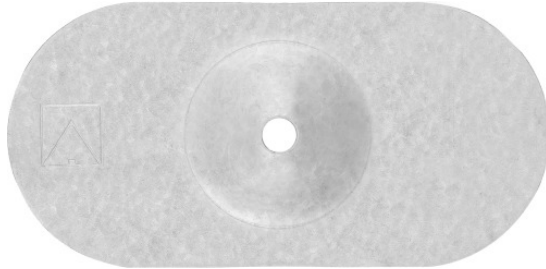


R-POW-05-ALZN Oval steel washers - deep version

Steel pressure plates for fastening of single ply membrane systems



Approvals and Reports

- ETA-09/0346
- UKTA-22/6338



Product information

Features and benefits

- Deep shape of the washer in connection with WB double-threaded screw is the solution for installation of roofing membrane system to steel sheet
- Oval washer made of aluminum and zinc sheet, which ensures a very high resistance against corrosion

Applications

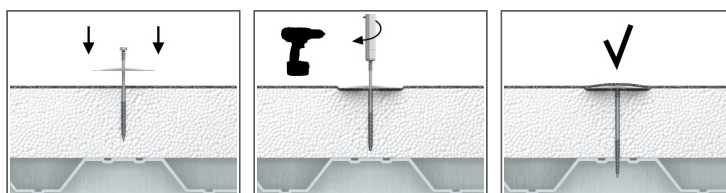
- Systems of mechanically fastened flexible roof waterproofing membrane

Base materials

Approved for use in:

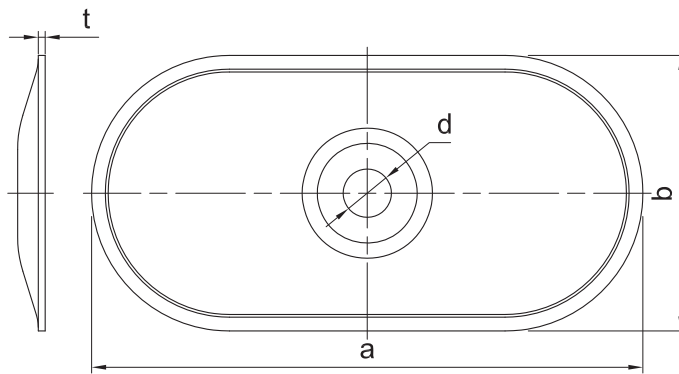
- Metal Sheet & Profiles
- Timber
- Chipboard
- Plywood
- Oriented Strand Board
- Concrete
- Concrete Slab

Installation guide



1. Position POW washer on insulation and insert: WBT, WCS, WW screw
2. Using drilling machine, drive the screw into substrate until fixing depth is reached

Product information



Product Code	Aluminum washer			
	Hole diameter	Length	Width	Thickness
	d	a	b	t
	[mm]	[mm]	[mm]	[mm]
R-POW-05-ALZN	5	82	40	0.7

Product commercial data

Product Code	Aluminum washer			Quantity [pcs]			Weight [kg]			Bar Codes
	Hole diameter [mm]	Length [mm]	Width [mm]	Box	Outer	Pallet	Box	Outer	Pallet	
R-POW-05-ALZN ¹⁾	5	82	40	100	1200	48000	1.78	21.4	884.4	5906675102580

1) ETA-09/0346