

# POK-041-ALZN Circular steel washer 40mm

Steel washer with special form for roofing applications, for use with all types of roofing screws.



## Approvals and Reports

- ETA-09/0346
- UKTA-22/6338



## Product information

### Features and benefits

- Round washer made of aluminum and zinc sheet, which ensures a very high resistance against corrosion. Its sculpted shape allows for trouble-free installation using a dedicated rigid mounting screws for hard roof insulation.

### Applications

- Systems of mechanically fastened flexible roof waterproofing membrane

### Base materials

#### Approved for use in:

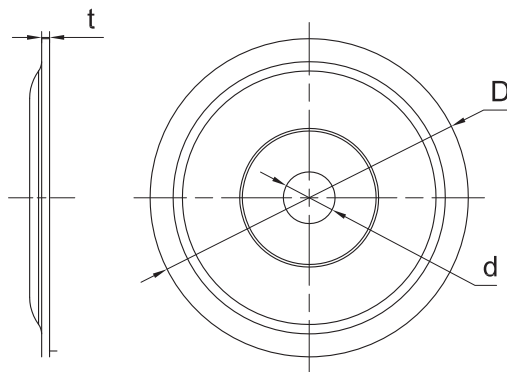
- Metal Sheet & Profiles
- Timber
- Chipboard
- Plywood
- Concrete
- Concrete Slab

## Installation guide



1. Position POK washer on insulation and insert: WCS,WW screw
2. Using drilling machine, drive the screw into substrate until fixing depth is reached

### Product information



| Product Code   | Aluminum washer |                |           |
|----------------|-----------------|----------------|-----------|
|                | Hole diameter   | Plate diameter | Thickness |
|                | d               | D              | t         |
|                | [mm]            | [mm]           | [mm]      |
| R-POK-041-ALZN | 6.5             | 40             | 0.7       |

### Product commercial data

| Product Code                 | Aluminum washer    |                     | Quantity [pcs] |       |        | Weight [kg] |       |        | Bar Codes     |
|------------------------------|--------------------|---------------------|----------------|-------|--------|-------------|-------|--------|---------------|
|                              | Hole diameter [mm] | Plate diameter [mm] | Box            | Outer | Pallet | Box         | Outer | Pallet |               |
| R-POK-041-ALZN <sup>1)</sup> | 6.5                | 40                  | 100            | 1200  | 48000  | 1.05        | 12.6  | 534.0  | 5906675102559 |

1) ETA-09/0346