

## R-KFS Counterbore cutter

Cutter accessory for counterbored installation of TFIX hammer-in facade insulation fixings



### Product information

#### Features and benefits

- Precise tool construction allows to cut polystyrene, polyurethane and mineral wool boards
- Countersunk installation (with post-installed insulation cap) reduces heat transmission and results in a homogenous insulation surface.
- Cost-saving solution, as countersunk installation allows selection of shorter fixings.

#### Applications

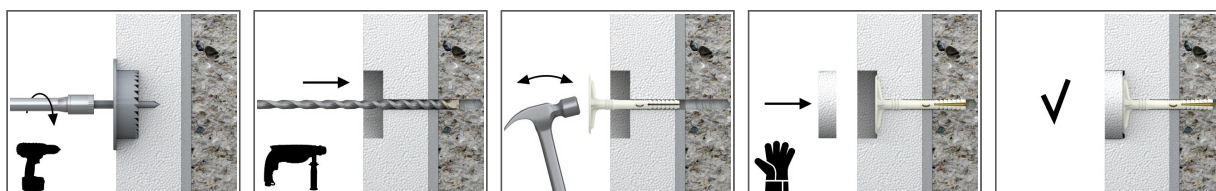
- External Thermal Insulation Composite Systems (ETICS)
- Polystyrene (EPS) boards
- Polyurethane (PU) boards
- Mineral wool (MW) boards

#### Base materials

##### Approved for use in:

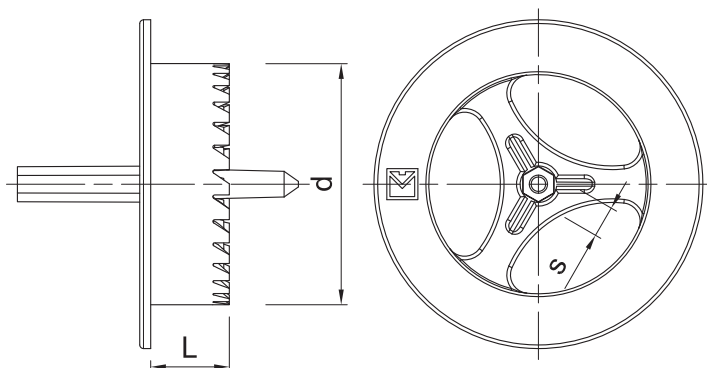
- Polystyrene (EPS) Boards
- Mineral Wool Boards

### Installation guide



1. Cut the hole in insulation board
2. Insert cap into countersunk hole in insulation board following installation of the facade fixing

## Product information



Size	Product Code	Milling depth		Rivet
		L	S <sub>w</sub>	Head size
				[mm]
Ø63	R-KFS-63	10	10	

## Product commercial data

Size	Product Code	Fixing			Quantity [pcs]			Weight [kg]			Bar Codes
		Diameter [mm]	Plate diameter [mm]	Length [mm]	Box	Outer	Pallet	Box	Outer	Pallet	
Ø63	R-KFS-63				1	16	384	0.07	1.10	56.5	5906675390307
Ø8	R-TFIX-8M-135	8	60	135	200	200	8000	5.7	5.7	258.8	5906675269436
	R-TFIX-8M-155	8	60	155	200	200	6400	6.4	6.4	235.2	5906675269443
	R-TFIX-8M-175	8	60	175	200	200	6400	7.0	7.0	253.9	5906675269450
	R-TFIX-8M-195	8	60	195	200	200	6400	7.6	7.6	271.7	5906675269467
	R-TFIX-8M-215	8	60	215	100	100	4000	4.3	4.3	200.0	5906675269474
	R-TFIX-8M-235	8	60	235	100	100	4000	4.7	4.7	216.3	5906675269481
	R-TFIX-8M-255	8	60	255	100	100	4000	5.0	5.0	228.6	5906675269498
	R-TFIX-8M-275	8	60	275	100	100	4000	5.3	5.3	242.1	5906675269504
Ø8	R-TFIX-8S-115	8	60	115	200	200	8000	5.7	5.7	258.4	5906675417479
	R-TFIX-8S-135	8	60	135	200	200	8000	6.4	6.4	285.9	5906675417486
	R-TFIX-8S-155	8	60	155	200	200	6400	7.1	7.1	257.7	5906675417493
	R-TFIX-8S-175	8	60	175	200	200	6400	7.8	7.8	278.8	5906675417509
	R-TFIX-8S-195	8	60	195	200	200	6400	8.5	8.5	300.8	5906675417516
	R-TFIX-8S-215	8	60	215	100	100	4000	4.8	4.8	222.2	5906675417530
	R-TFIX-8S-235	8	60	235	100	100	4000	5.0	5.0	231.5	5906675417547
	R-TFIX-8S-255	8	60	255	100	100	4000	5.5	5.5	249.8	5906675417554
	R-TFIX-8S-275	8	60	275	100	100	4000	5.8	5.8	263.2	5906675417561
	R-TFIX-8S-295	8	60	295	100	100	4000	6.1	6.1	272.1	5906675417578
	R-TFIX-8S-315	8	60	315	100	100	4000	6.3	6.3	281.6	5906675498935
	R-TFIX-8S-335	8	60	335	100	100	4000	6.7	6.7	297.9	5906675417585
Ø8	R-TFIX-8S-355	8	60	355	100	100	3200	7.3	7.3	264.9	5906675417592
	R-TFIX-8S-375	8	60	375	100	100	3200	7.6	7.6	274.4	5906675417608
	R-TFIX-8S-395	8	60	395	50	50	1600	4.2	4.2	164.9	5906675417615
	R-TFIX-8S-415	8	60	415	50	50	1600	4.4	4.4	171.5	5906675417639
	R-TFIX-8S-435	8	60	435	50	50	1600	4.5	4.5	174.7	5906675417646
	R-TFIX-8S-455	8	60	455	50	50	1600	4.8	4.8	183.8	5906675417653
	R-TFIX-8S-115-X	8	60	115	200	200	8000	5.3	5.3	243.0	5906675417660
	R-TFIX-8S-135-X	8	60	135	200	200	8000	5.9	5.9	267.6	5906675417677
R-TFIX-8S-155-X	8	60	155	200	200	8000	6.8	6.8	300.2	5906675417684	
R-TFIX-8S-175-X	8	60	175	200	200	6400	7.4	7.4	267.0	5906675417691	

### Product commercial data

Size	Product Code	Fixing			Quantity [pcs]			Weight [kg]			Bar Codes
		Diameter [mm]	Plate diameter [mm]	Length [mm]	Box	Outer	Pallet	Box	Outer	Pallet	
Ø8	R-TFIX-8S-195-X	8	60	195	200	200	6400	8.0	8.0	284.2	5906675417707
	R-TFIX-8S-215-X	8	60	215	100	100	4000	4.5	4.5	211.1	5906675417714
	R-TFIX-8S-235-X	8	60	235	100	100	4000	4.9	4.9	225.2	5906675417738
	R-TFIX-8S-255-X	8	60	255	100	100	4000	5.3	5.3	239.8	5906675417745
	R-TFIX-8S-275-X	8	60	275	100	100	4000	5.5	5.5	249.4	5906675417752
	R-TFIX-8S-295-X	8	60	295	100	100	4000	5.9	5.9	267.5	5906675417769
	R-TFIX-8S-335-X	8	60	335	100	100	3200	6.5	6.5	238.1	5906675417776
	R-TFIX-8S-355-X	8	60	355	100	100	3200	7.1	7.1	256.5	5906675417783
	R-TFIX-8S-375-X	8	60	375	100	100	3200	7.3	7.3	264.2	5906675417790
	R-TFIX-8S-395-X	8	60	395	50	50	1600	4.2	4.2	162.7	5906675417806
	R-TFIX-8S-415-X	8	60	415	50	50	1600	4.3	4.3	167.3	5906675417813
	R-TFIX-8S-435-X	8	60	435	50	50	1600	4.4	4.4	170.7	5906675417837
	R-TFIX-8S-455-X	8	60	455	50	50	1600	4.6	4.6	177.1	5906675417844
Ø8	R-TFIX-8S-315-X	8	60	315	100	100	3200	6.2	6.2	228.7	5906675498942
	TFIX-8M-095	8	60	95	200	200	9600	4.5	4.5	246.0	5906675188768
Ø8	TFIX-8M-115	8	60	115	200	200	8000	5.1	5.1	234.2	5906675188775
	TFIX-8S-115	8	60	115	200	200	8000	5.8	5.8	263.7	5906675033853
	TFIX-8S-135	8	60	135	200	200	8000	6.4	6.4	286.4	5906675027579
	TFIX-8S-155	8	60	155	200	200	6400	7.2	7.2	259.8	5906675028774
	TFIX-8S-175	8	60	175	200	200	6400	7.8	7.8	278.9	5906675028323
	TFIX-8S-195	8	60	195	200	200	6400	8.5	8.5	301.7	5906675027845
	TFIX-8S-215	8	60	215	100	100	4000	4.8	4.8	223.5	5906675028026
	TFIX-8S-235	8	60	235	100	100	4000	5.1	5.1	233.8	5906675028347
	TFIX-8S-255	8	60	255	100	100	4000	5.4	5.4	244.0	5906675049670
	TFIX-8S-275	8	60	275	100	100	4000	5.7	5.7	258.0	5906675018843
	TFIX-8S-295	8	60	295	100	100	4000	6.2	6.2	276.0	5906675018850
	TFIX-8S-335	8	60	335	100	100	4000	6.7	6.7	297.4	5906675018867
	TFIX-8S-355	8	60	355	100	100	3200	7.3	7.3	263.3	5906675088044
	TFIX-8S-375	8	60	375	100	100	3200	7.5	7.5	271.1	5906675087313
	TFIX-8S-395	8	60	395	50	50	1600	4.3	4.3	166.1	5906675079042
	TFIX-8S-415	8	60	415	50	50	1600	4.5	4.5	172.3	5906675088822
	TFIX-8S-435	8	60	435	50	50	1600	4.6	4.6	177.3	5906675117140
	TFIX-8S-455	8	60	455	50	50	1600	4.7	4.7	180.1	5906675335131