

FX-N-K-A2 Nylon hammer-in fixing with mushroom head

The hammer fixing with mushroom head made from best quality nylon for fast, simple, cost-effective installations



Product information

Features and benefits

- Rapid hammer-set installation reduces the time required and allows for cost-effective, high-volume installation.
- Combination of PZ recess and the helical thread makes removal of the nail possible, facilitating disassembly when necessary.
- The extensive range of lengths and diameters mushroom head type plug ensures availability of the correct fixing for every scenario
- Designed for push-through installation.
- Nylon material for best quality

Applications

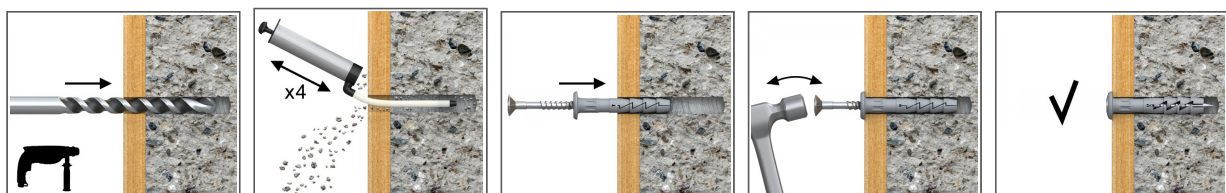
- Timber or metal battens
- Drywall structures
- Skirting / Dado railing
- Cable clamps
- Pipe clamps
- Sheeting

Base materials

Approved for use in:

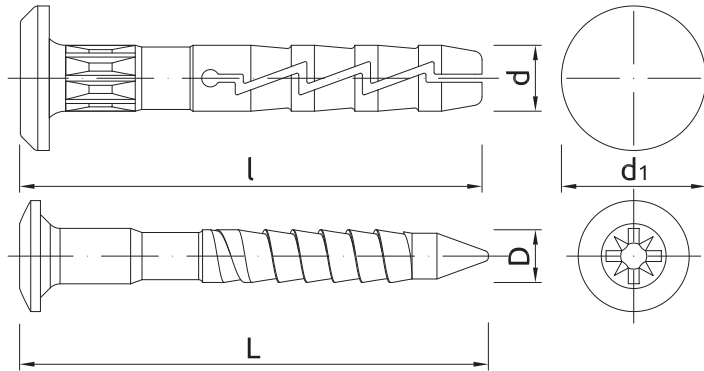
- Concrete
- Solid Brick
- Solid Sand-lime Brick
- Lightweight Concrete Block
- Hollow Lightweight Concrete Block
- Aerated Concrete Block

Installation guide



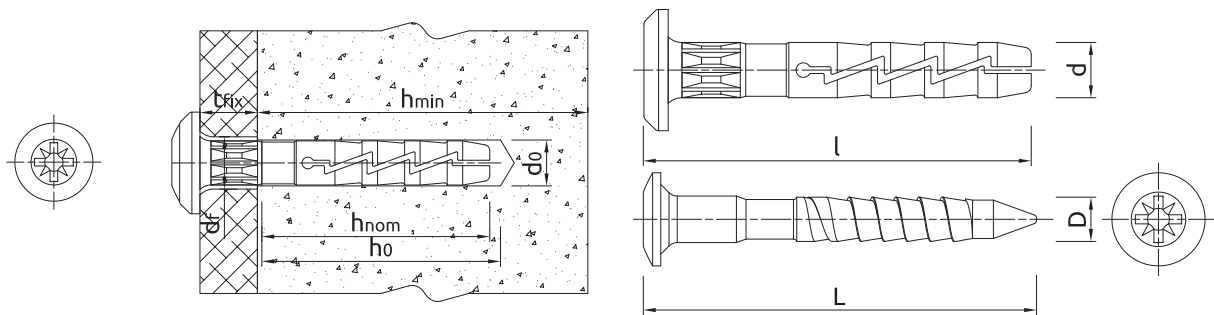
1. Drill a hole of required diameter.
2. Insert FX plug into hole through fixture.
3. Hammer the nail into the plastic sleeve until fixing is secure and flush with the fixture.

Product information



| Size | Product Code | Plug | | Nail | | Fixture | | Diameter |
|------|---------------|----------|--------|----------|--------|------------------|----------------|----------------|
| | | Diameter | Length | Diameter | Length | Max. thickness | Hole diameter | |
| | | d | l | D | L | t _{fix} | d _f | d ₁ |
| [mm] | | | | | | | | |
| Ø6 | R-FX-N-06K040 | 5.9 | 40 | 3.8 | 44 | 11 | 7 | 12.5 |
| | R-FX-N-06K060 | 5.9 | 60 | 3.8 | 64 | 31 | 7 | 12.5 |

Installation data



Installation data

Product dimensions

| Size | Ø6 | | |
|------------------------------|------------------|------|-----|
| Hole diameter in substrate | d ₀ | [mm] | 6 |
| Min. hole depth in substrate | h ₀ | [mm] | 35 |
| Min. installation depth | h _{nom} | [mm] | 29 |
| Min. substrate thickness | h _{min} | [mm] | 100 |
| Min. spacing | s _{min} | [mm] | 100 |
| Min. edge distance | c _{min} | [mm] | 100 |
| Fixing diameter | d | [mm] | 6 |

Basic performance data

Performance data for single fixing in tension without influence of edge distance and spacing

| Substrate | | Concrete C12/15 | Concrete C16/20 | Concrete C20/25 - C50/60 | Solid clay brick min 20MPa (eg Mz20/2.0) | Solid brick min. 30MPa | Sand-lime solid brick | Sand-lime hollow brick | Lightweight concrete hollow block | Lightweight concrete block | Autoclaved aerated concrete |
|--|------|-----------------|-----------------|--------------------------|--|------------------------|-----------------------|------------------------|-----------------------------------|----------------------------|-----------------------------|
| POLYAMIDE PLUG | | | | | | | | | | | |
| MEAN ULTIMATE LOAD $N_{R_{u,m}}$ | | | | | | | | | | | |
| TENSION LOAD $N_{R_{u,m}}$ | | | | | | | | | | | |
| Ø06, Effective embedment depth 29 mm | [kN] | 0.37 | 0.53 | 0.53 | 0.39 | 0.39 | 0.55 | 0.53 | 0.40 | 0.49 | 0.14 |
| CHARACTERISTIC LOAD N_{R_k} | | | | | | | | | | | |
| TENSION LOAD N_{R_k} | | | | | | | | | | | |
| Ø06, Effective embedment depth 29 mm | [kN] | 0.20 | 0.30 | 0.30 | 0.20 | 0.20 | 0.40 | 0.30 | 0.30 | 0.30 | 0.10 |
| DESIGN LOAD N_{R_d} | | | | | | | | | | | |
| TENSION LOAD N_{R_d} | | | | | | | | | | | |
| Ø06, Effective embedment depth 29 mm | [kN] | 0.10 | 0.15 | 0.15 | 0.10 | 0.10 | 0.20 | 0.15 | 0.15 | 0.15 | 0.05 |
| RECOMMENDED LOAD $N_{R_{ec}}$ | | | | | | | | | | | |
| TENSION LOAD $N_{R_{ec}}$ | | | | | | | | | | | |
| Ø06, Effective embedment depth 29 mm | [kN] | 0.07 | 0.11 | 0.11 | 0.07 | 0.07 | 0.14 | 0.11 | 0.11 | 0.11 | 0.04 |

Product commercial data

| Product Code | Plug | Quantity [pcs] | | | Weight [kg] | | | Bar Codes |
|---------------|---------------|----------------|-------|--------|-------------|-------|--------|---------------|
| | Diameter [mm] | Box | Outer | Pallet | Box | Outer | Pallet | |
| R-FX-N-06K040 | 5.9 | 100 | 1600 | 38400 | 0.47 | 7.5 | 209.7 | 5906675177427 |
| R-FX-N-06K060 | 5.9 | 100 | 1200 | 28800 | 0.64 | 7.7 | 215.2 | 5906675177441 |