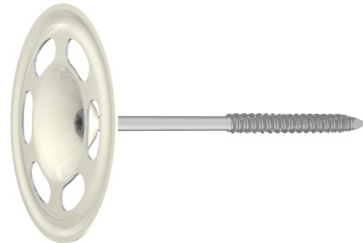


## R-DB Ceiling screw-in solution with washer + R-WBT

Screw-in system for fastening ceiling and acoustic insulation boards



### Product information

#### Features and benefits

- Easy removable solution helps to replace the insulation board if necessary
- Screw for concrete substrates, TX25 head. Shape and type of the thread specially design to allow connecting to concrete and wood.
- Special zinc flake corrosion-resistant coating for anti-corrosion protection.
- The drill point is designed to provide a fast and hassle-free installation in the steel. Sharp point of the drill prevents movement of the surface of the fixture.
- Wide retaining plate improve pull-through insulation loads for the fixing point
- Flange ensures flush fit to insulation surface.

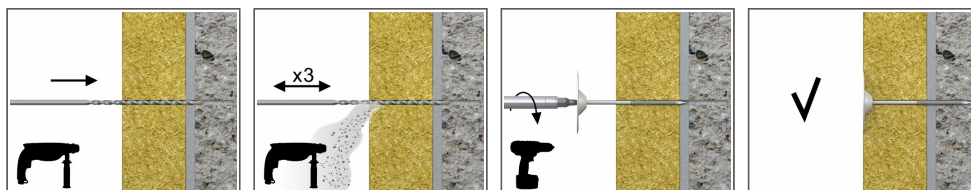
#### Applications

- Thermal and acoustic insulation
- Ceiling and acoustic insulation boards
- Mineral wool (MW) boards

#### Base materials

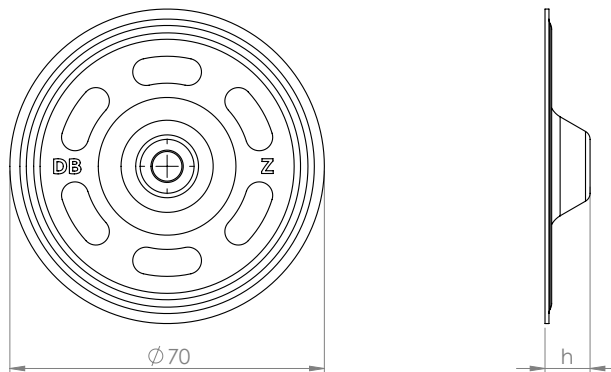
- Approved for use in:**
- Concrete C20/25-C50/60

### Installation guide



1. Drill a 5mm diameter hole perpendicular to the surface of the substrate
2. Clean drilled hole 3 times.
3. Use a standard bit for installation
4. The upper part of the plate must be flush with surface
5. Properly set insulation fixing

## Product information



Size	Product Code	Fixing		Hole depth	Embedment depth	Hole diameter	Thickness	Depth
		Plate diameter						
		D	$h_0$	L	d	t	h	
[mm]								
Ø70	R-DB-Z	70	30	25	6.5	0.8	10	
	R-DB-Z-FL	70	30	25	6.5	0.8	5	

Size	Product Code	Screw	
		Diameter	Length
		d	L
[mm]			
Ø6.1	R-WBT-61050	6.1	50
	R-WBT-61075	6.1	75
	R-WBT-61090	6.1	90
	R-WBT-61100	6.1	100
	R-WBT-61120	6.1	120
	R-WBT-61140	6.1	140
	R-WBT-61160	6.1	160
	R-WBT-61180	6.1	180
	R-WBT-61200	6.1	200
	R-WBT-61220	6.1	220
	R-WBT-61240	6.1	240
	R-WBT-61260	6.1	260
	R-WBT-61300	6.1	300
R-WBT-61100	6.1	100	

## Installation data

Size	70mm		
Hole diameter in substrate	$d_0$	[mm]	5
Min. hole depth in substrate	$h_0$	[mm]	30
Min. installation depth	$h_{nom}$	[mm]	25
Min. substrate thickness	$h_{min}$	[mm]	80
Min. edge distance	$c_{min}$	[mm]	100
Min. spacing	$s_{min}$	[mm]	100

## Basic performance data

Property	Value
Design load $N_{Rd}$ [kN]	0.50

**Product commercial data**

Size	Product Code	Screw	Fixing	Hole diameter [mm]	Thickness [mm]	Quantity [pcs]			Weight [kg]			Bar Codes
		Length [mm]	Plate diameter [mm]			Box	Outer	Pallet	Box	Outer	Pallet	
Ø6.1	R-WBT-61050	50				100	3200	76800	0.79	25.2	634.4	5906675101200
	R-WBT-61075	75				100	1600	38400	1.11	17.7	454.3	5906675101231
	R-WBT-61090	90				100	1600	38400	1.34	21.4	543.8	5906675101309
	R-WBT-61100	100				100	1600	38400	1.49	23.9	602.5	5906675101408
	R-WBT-61120	120				100	1200	28800	1.77	21.3	540.9	5906675101439
	R-WBT-61140	140				100	1200	28800	2.0	24.5	618.7	5906675101460
	R-WBT-61160	160				100	1200	28800	2.3	28.1	704.2	5906675101514
	R-WBT-61180	180				100	100	16800	2.7	2.7	477.9	5906675225173
	R-WBT-61200	200				100	100	16800	2.9	2.9	518.5	5906675101927
	R-WBT-61220	220				100	100	16800	3.2	3.2	568.4	5906675102214
	R-WBT-61240	240				100	100	16800	3.5	3.5	620.7	5906675102245
	R-WBT-61260	260				100	100	16800	3.8	3.8	661.7	5906675102269
Ø70	R-DB-Z		70	6.5	0.8	100	800	25600	2.4	19.0	636.7	5906675387222
	R-DB-Z-FL		70	6.5	0.8	100	800	19200	2.4	19.0	485.0	5906675387239