

## R-DB Ceiling screw-in solution with washer

Screw-in system for fastening ceiling and acoustic insulation boards



### Product information

#### Features and benefits

- Easy removable solution helps to replace the insulation board if necessary
- Screw for concrete substrates, TX25 head. Shape and type of the thread specially design to allow connecting to concrete and wood.
- Special zinc flake corrosion-resistant coating for anti-corrosion protection.
- The drill point is designed to provide a fast and hassle-free installation in the steel. Sharp point of the drill prevents movement of the surface of the fixture.
- Wide retaining plate improve pull-through insulation loads for the fixing point
- Flange ensures flush fit to insulation surface.

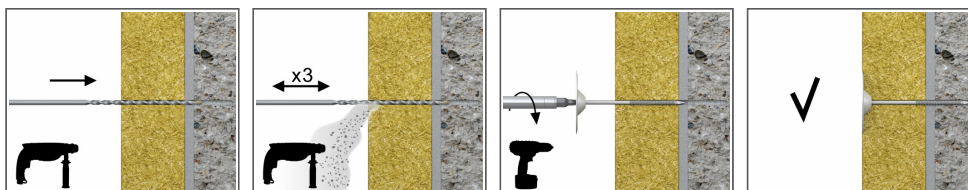
#### Applications

- Thermal and acoustic insulation
- Ceiling and acoustic insulation boards
- Mineral wool (MW) boards

#### Base materials

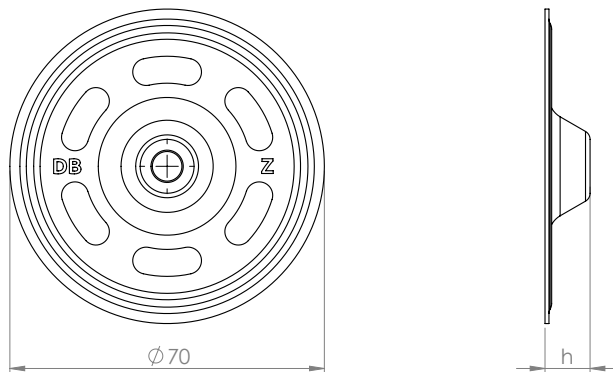
- Approved for use in:**
- Concrete C20/25-C50/60

### Installation guide



1. Drill a 5mm diameter hole perpendicular to the surface of the substrate
2. Clean drilled hole 3 times.
3. Use a standard bit for installation
4. The upper part of the plate must be flush with surface
5. Properly set insulation fixing

## Product information



Size	Product Code	Fixing	Hole depth	Embedment depth	Hole diameter	Thickness	Depth
		Plate diameter					
		D	$h_0$	L	d	t	h
[mm]							
Ø70	R-DB-Z	70	30	25	6.5	0.8	10
	R-DB-Z-FL	70	30	25	6.5	0.8	5

## Installation data

Size	70mm		
Hole diameter in substrate	$d_0$	[mm]	5
Min. hole depth in substrate	$h_0$	[mm]	30
Min. installation depth	$h_{nom}$	[mm]	25
Min. substrate thickness	$h_{min}$	[mm]	80
Min. edge distance	$c_{min}$	[mm]	100
Min. spacing	$s_{min}$	[mm]	100

## Basic performance data

Property	Value
Design load $N_{Rd}$ [kN]	0.50

## Product commercial data

Size	Product Code	Fixing Plate diameter [mm]	Hole diameter [mm]	Thickness [mm]	Screw Length [mm]	Quantity [pcs]			Weight [kg]			Bar Codes
						Box	Outer	Pallet	Box	Outer	Pallet	
Ø70	R-DB-Z	70	6.5	0.8		100	800	25600	2.4	19.0	636.7	5906675387222
	R-DB-Z-FL	70	6.5	0.8		100	800	19200	2.4	19.0	485.0	5906675387239
Ø6.1	R-WBT-61050				50	100	3200	76800	0.79	25.2	634.4	5906675101200
	R-WBT-61075				75	100	1600	38400	1.11	17.7	454.3	5906675101231
	R-WBT-61090				90	100	1600	38400	1.34	21.4	543.8	5906675101309
	R-WBT-61100				100	100	1600	38400	1.49	23.9	602.5	5906675101408
	R-WBT-61120				120	100	1200	28800	1.77	21.3	540.9	5906675101439
	R-WBT-61140				140	100	1200	28800	2.0	24.5	618.7	5906675101460
	R-WBT-61160				160	100	1200	28800	2.3	28.1	704.2	5906675101514
	R-WBT-61180				180	100	100	16800	2.7	2.7	477.9	5906675225173
	R-WBT-61200				200	100	100	16800	2.9	2.9	518.5	5906675101927
	R-WBT-61220				220	100	100	16800	3.2	3.2	568.4	5906675102214
R-WBT-61240				240	100	100	16800	3.5	3.5	620.7	5906675102245	

### Product commercial data

Size	Product Code	Fixing		Hole diameter [mm]	Thickness [mm]	Screw Length [mm]	Quantity [pcs]			Weight [kg]			Bar Codes
		Plate diameter [mm]					Box	Outer	Pallet	Box	Outer	Pallet	
Ø6.1	R-WBT-61260					260	100	100	16800	3.8	3.8	661.7	5906675102269
	R-WBT-61300					300	100	100	7800	4.3	4.3	367.0	5906675102290